

PRODUCT CATALOGUE

Compression
Fittings
PN10
ISO 9001:2000 certified



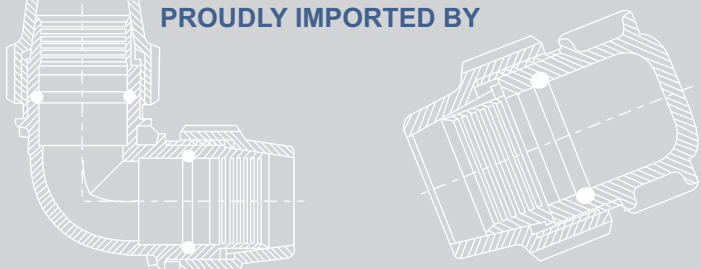
Water
Reticulation
&
Irrigation



Global Presence Local Commitment



www.dpitrading.co.za



PROUDLY IMPORTED BY



www.inclledon.co.za

PRODUCT CATALOGUE

INTRODUCTION

Plasson's innovative products revolutionized the way of connecting polyethylene pipes in the 1960's. We started with fittings for agricultural irrigation and later developed products for urban water distribution.

Nowadays, water delivery systems in some of the world's great cities, owe their excellence to Plasson's innovative research and development.

We have achieved superior designs and products, the widest range of fittings and adaptors and a genuine commitment to quality, delivery and service.

Plasson continues to strive for the future environment. By buying Plasson products, you help us to invest in our vision of a world where clean, pure water will be everyone's birthright.

Plasson's quality system conforms to the exacting requirements of ISO9001:2000

MECHANICAL COMPRESSION FITTINGS

Plasson fittings offer solutions for connecting HDPE pipes, used for conveying water and other fluids in Urban and Inter-Urban infrastructure, industrial, mining, landscape and farming applications.

Technical Specifications

Plasson Silver Line (14) - These fittings have been specially designed for joining polyethylene pipes used with a working pressure up to 10 bar.

These fittings are designed according to ISO standards and are approved according to SANS 14236-2003 for compression fittings and SANS 1808-44:2010 for saddles.

The compression fitting are available in sizes 16 to 63mm and saddles are available in 20 x 1/2" to 160 x 2".

Fittings conform and carry the appropriate SABS mark of approval

The Fittings are:

- Perfectly watertight
- Extremely simple to use
- Easy and fast to reuse
- Designed with captive O-ring
- Frost proof
- Suitable for outdoor use in direct sunlight
- Highly impact - resistant

Materials

Body	: Polypropylene, high-grade copolymer
Nut	: Polypropylene, high-grade copolymer
Split Ring	: Polyacetal (POM)
Seal	: Nitrile rubber (EPDM)
O-Ring	: NBR

Operating Temperatures

The fittings are not to be used with hot water, although they withstand the same temperature as the polyethylene pipe itself.

The Fittings will withstand sub-zero temperatures.

Threads

All threads conform to ISO-7/1BS 21-1973, DIN 2999, NEN 3258, AS 1722 Part 1-1975



PRODUCT CATALOGUE

TABLE OF CONTENTS

Coupling

#140100



Available 16 - 63mm

90° Elbow

#140500



Available 16 - 63mm

90° Elbow with Threaded Female offtake

#141500



Available 16mm x 1/2" - 63mm x 2"

90° Elbow with Threaded Male offtake

#148500



Available 20mm x 1/2" - 63mm x 2"

90° Tee

#140400



Available 16 - 63mm

90° Tee with Threaded Female Offtake

#141400



Available 16mm x 1/2" - 63mm x 2"

90° Tee with Threaded Male offtake

#148400



Available 20mm x 1/2" - 63mm x 2"

Female Adaptor

#140300



Available 16mm x 1/2" - 63mm x 2"

Male Adaptor

#140200



Available 16mm x 1/2" - 63mm x 2"

End Plug

#141200

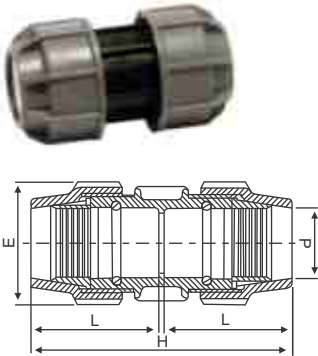


Available 25 - 63mm

PRODUCT CATALOGUE

Coupling

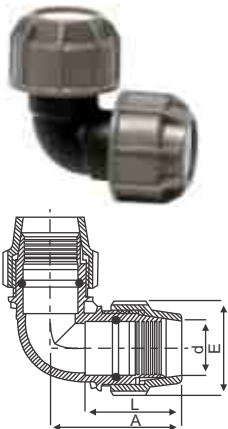
#140100



CODE	SIZE (d)	E	H	L	UB	UC	W
030258	16	39	105	50	10	400	52
030119	20	42	90	44	10	500	35
030120	25	50	98	48	10	300	56
030121	32	61	114	56	10	160	100
030122	40	73	127	62	5	100	151
030123	50	92	146	74	5	60	245
030124	63	106	167	82	2	60	400

90° Elbow

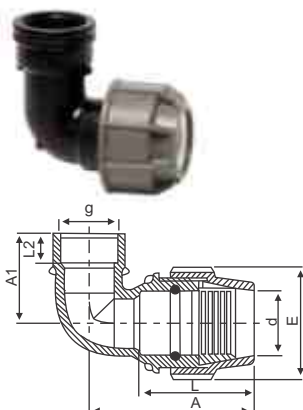
#140500



CODE	SIZE (d)	E	A	L	UB	UC	W
030260	16	39	64	51	10	350	57
030131	20	42	57	43	10	440	38
030132	25	50	62	47	10	300	58
030133	32	61	75	56	10	160	102
030134	40	73	86	62	5	90	164
030135	50	92	104	74	5	50	276
030136	63	106	119	82	2	32	442

90° Elbow with Threaded Female offtake

#141500

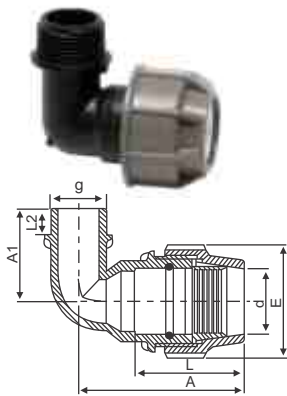


CODE	SIZE (d g)	E	L	L2	A	A 1	UB	UC	W
030267	16 x 1/2"	39	50	19	66	39	10	500	38
029701	20 x 1/2"	42	44	17	56	42	10	600	29
029702	20 x 3/4"	42	44	18	56	42	10	500	30
029703	25 x 1/2"	50	48	18	68	45	10	380	43
030187	25 x 3/4"	50	48	18	68	45	10	380	43
030188	25 x 1"	50	48	21	68	50	10	340	48
029704	32 x 3/4"	61	56	18	75	47	10	220	64
029705	32 x 1"	61	56	21	75	60	10	200	70
029706	32 x 1 1/4"	61	56	25	75	66	10	200	91
029707	40 x 1 1/4"	73	62	25	86	70	5	120	130
029708	40 x 1 1/2"	73	62	25	86	70	5	110	141
030255	40 x 2"	92	67	30	102	79	5	70	298
029709	50 x 1 1/2"	92	74	25	102	79	5	70	203
029710	50 x 2"	92	74	30	102	79	5	70	226
030256	63 x 2"	106	82	30	115	86	2	44	327

W = Weight per unit in grams
 UB = Units per bag
 UC = Units per carton

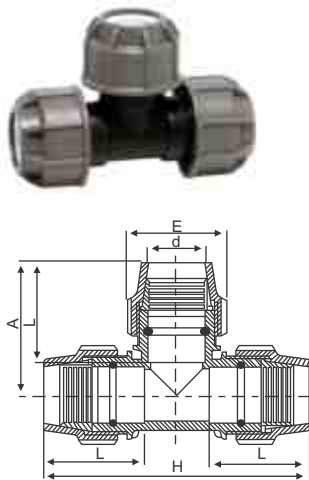
PRODUCT CATALOGUE

90° Elbow with Threaded Male offtake #148500



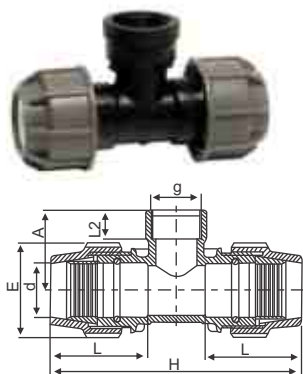
CODE	SIZE (d g)	E	L	L2	A	A 1	UB	UC	W
030189	20 x 1/2"	42	43	17	57	44	10	600	25
030190	20 x 3/4"	42	43	18	57	45	10	600	28
030191	25 x 1/2"	50	47	17	62	45	10	400	36
030192	25 x 3/4"	50	47	18	62	47	10	400	38
029711	25 x 1"	50	47	19	62	49	10	400	39
030257	32 x 1/2"	50	56	17	75	49	10	240	65
030193	32 x 3/4"	61	56	18	75	49	10	240	62
030194	32 x 1"	61	56	20	75	53	10	240	66
030195	40 x 1"	73	62	20	86	65	5	120	103
030196	40 x 1 1/4"	73	62	22	86	68	5	120	114
030197	40 x 1 1/2"	73	62	22	86	69	5	120	121
030198	50 x 1 1/2"	92	74	22	104	73	5	70	176
030199	50 x 2"	92	74	26	104	77	5	70	192
030200	63 x 2"	106	82	26	119	84	2	48	248

90° Tee #140400



CODE	SIZE (d)	E	H	L	A	UB	UC	W
030259	16	39	126	50	63	10	220	83
030125	20	42	113	43	57	10	250	77
030126	25	50	124	47	60	10	170	85
030127	32	61	150	56	75	5	100	148
030128	40	73	173	62	86	5	60	244
030129	50	92	207	74	104	2	32	394
030130	63	106	239	82	119	2	20	643

90° Tee with Threaded Female Offtake #141400



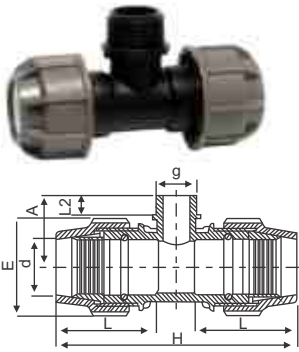
CODE	SIZE (d g)	E	H	L	L2	A	UB	UC	W
030265	16 x 1/2"	39	124	51	19	30	10	240	36
030266	16 x 3/4"	39	122	50	19	30	10	240	56
030163	20 x 1/2"	42	113	44	18	43	10	320	48
030164	20 x 3/4"	42	113	44	19	45	10	320	50
029700	25 x 1/2"	50	123	48	18	45	10	200	70
030165	25 x 3/4"	50	123	48	19	48	10	200	70
030166	25 x 1"	50	123	48	21	50	10	200	74
030251	32 x 1/2"	61	150	56	18	49	5	120	120
030167	32 x 3/4"	61	150	56	19	52	5	120	118
030168	32 x 1"	61	150	56	21	55	5	120	123
030252	32 x 1 1/4"	73	173	56	25	67	5	70	123
030253	32 x 1 1/2"	73	173	56	25	68	5	60	123
030169	40 x 1"	73	173	62	21	63	5	70	188
030170	40 x 1 1/4"	73	173	62	25	67	5	70	207
030171	40 x 1 1/2"	73	173	62	25	68	5	60	204
030254	40 x 2"	92	200	65	30	79	5	40	486
030172	50 x 1 1/2"	92	200	72	25	73	2	40	323
030173	50 x 2"	92	200	72	30	79	2	40	348
030174	63 x 2"	106	239	820	30	86	2	24	522

W = Weight per unit in grams
 UB = Units per bag
 UC = Units per carton

PRODUCT CATALOGUE

90° Tee with Threaded Male offtake

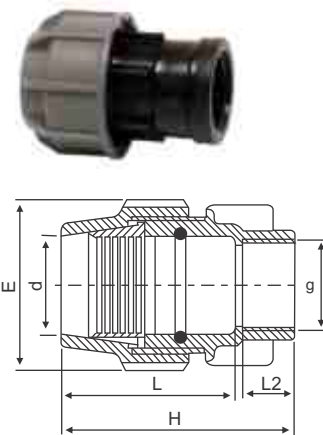
#148400



CODE	SIZE (d g)	E	H	L	L2	A	UB	UC	W
030175	20 x 1/2"	42	113	44	17	44	10	300	43
030176	20 x 3/4"	42	113	44	18	45	10	300	45
030177	25 x 1/2"	50	124	48	17	45	10	220	63
030178	25 x 3/4"	50	124	48	18	47	10	220	66
030179	32 x 3/4"	61	150	56	18	49	5	120	112
030180	32 x 1"	61	150	56	20	53	5	120	114
030181	40 x 1"	73	173	62	20	65	5	70	182
030182	40 x 1 1/4"	73	173	62	22	68	5	70	189
030183	40 x 1 1/2"	73	173	62	22	69	5	70	192
030184	50 x 1 1/2"	92	207	72	22	73	2	40	308
030185	50 x 2"	92	207	72	26	77	2	40	316
030186	63 x 2"	106	239	82	26	84	2	20	486

Female Adaptor

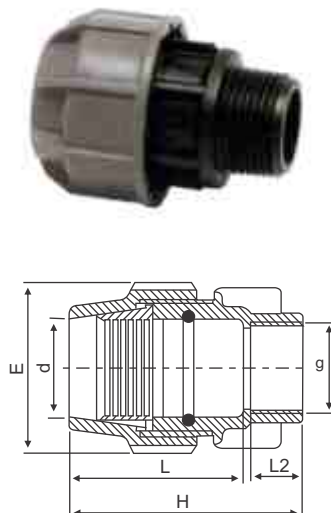
#140300



CODE	SIZE (d g)	E	H	L	L2	UB	UC	W
030263	16 x 1/2"	39	77	55	19	10	500	36
030264	16 x 3/4"	39	79	56	19	10	500	36
030151	20 x 1/2"	42	71	50	17	10	600	22
030152	20 x 3/4"	42	71	50	18	10	600	23
030248	20 x 1"	50	77	42	18	10	480	53
030153	25 x 3/4"	50	75	54	17	10	480	34
030154	25 x 1"	50	77	54	18	10	480	36
030155	32 x 3/4"	61	82	61	20	10	280	58
030156	32 x 1"	61	84	61	18	10	280	58
030249	32 x 1 1/4"	73	86	58	20	10	280	64
030250	32 x 1 1/2"	73	98	58	22	5	150	155
030157	40 x 1"	73	97	73	22	5	150	90
030158	40 x 1 1/4"	73	99	73	20	5	150	94
030159	40 x 1 1/2"	73	98	73	22	5	150	95
030160	50 x 1 1/2"	92	107	82	22	5	100	147
030161	50 x 2"	92	110	82	26	5	100	152
030162	63 x 2"	106	120	99	26	2	60	273

Male Adaptor

#140200



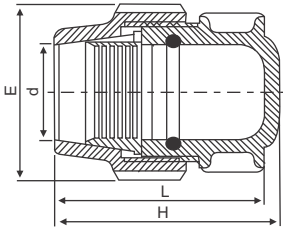
CODE	SIZE (d g)	E	H	L	L2	UB	UC	W
030261	16 x 1/2"	39	79	59	16	10	500	34
030262	16 x 3/4"	39	80	59	17	10	500	35
030137	20 x 1/2"	42	71	50	17	10	600	22
030138	20 x 3/4"	42	71	50	18	10	600	23
030245	20 x 1"	50	77	50	18	10	480	47
030139	25 x 1/2"	50	75	54	17	10	480	34
030140	25 x 3/4"	50	75	54	17	10	480	34
030141	25 x 1"	50	77	50	18	10	480	36
030142	32 x 3/4"	61	82	66	20	10	280	58
030143	32 x 1"	61	84	60	18	10	280	58
030144	32 x 1 1/4"	61	86	58	20	10	280	64
030246	32 x 1 1/2"	73	98	58	22	5	150	129
030145	40 x 1"	73	97	73	22	5	150	90
030146	40 x 1 1/4"	73	99	73	20	5	150	94
030147	40 x 1 1/2"	73	98	73	22	5	150	95
030247	40 x 2"	92	110	90	22	5	100	222
030148	50 x 1 1/2"	92	107	80	22	5	100	147
030149	50 x 2"	92	110	90	26	5	100	152
030150	63 x 2"	106	120	99	26	2	60	273

W = Weight per unit in grams
 UB = Units per bag
 UC = Units per carton

PRODUCT CATALOGUE

End Plug

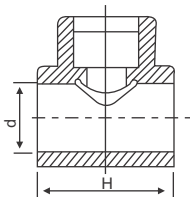
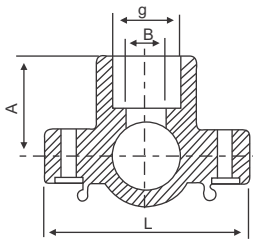
#141200



CODE	SIZE (d)	E	H	L	UB	UC	W
030240	25	50	59	48		520	30
030241	32	61	67	54		330	31
030242	40	73	80	67	5	180	32
030243	50	92	93	71	5	100	54
030244	63	105	112	80	2	60	86

Saddles

#16076/16086/16279



CODE Un-Reinforced	CODE Reinforced	SIZE (d g)	B	L	L1	A	No. of Bolts	UB	UC	W
029993	-	20 x 1/2"	10	70	45	33	2	1	400	62
029994	-	25 x 1/2"	15	75	50	36	2	1	300	70
029995	-	25 x 3/4"	15	75	50	37	2	1	300	73
029996	-	32 x 1/2"	16	92	60	40	2	1	150	133
029997	-	32 x 3/4"	19	92	60	41	2	1	150	135
029998	-	32 x 1"	19	92	60	42	2	1	150	142
029999	-	40 x 1/2"	16	92	60	46	2	1	150	141
030000	-	40 x 3/4"	19	92	60	46	2	1	150	143
030001	-	40 x 1"	25	92	60	49	2	1	150	151
030002	-	50 x 1/2"	16	106	73	51	2	1	100	178
030003	-	50 x 3/4"	21	106	73	52	2	1	100	180
030004	-	50 x 1"	25	106	73	54	2	1	100	187
030005	-	50 x 1 1/4"	25	106	73	58	2	1	100	212
-	030015	63 x 1/2"	16	116	84	58	4	1	70	277
-	030016	63 x 3/4"	20	116	84	59	4	1	70	280
-	030017	63 x 1"	25	116	84	61	4	1	70	286
-	030018	63 x 1 1/4"	32	116	84	66	4	1	70	308
-	030019	63 x 1 1/2"	39	116	84	67	4	1	60	322
-	030020	75 x 1/2"	16	122	98	64	4	1	60	369
-	030021	75 x 3/4"	20	122	98	65	4	1	55	369
-	030022	75 x 1"	25	122	98	67	4	1	55	376
-	030023	75 x 1 1/4"	32	122	98	72	4	1	55	398
-	030024	75 x 1 1/2"	40	122	98	73	4	1	50	411
-	030025	75 x 2"	40	122	98	78	4	1	50	433
-	030026	90 x 1/2"	16	141	105	72	4	1	45	453
-	030027	90 x 3/4"	20	141	105	73	4	1	45	454
-	030028	90 x 1"	25	141	105	75	4	1	45	460
-	030029	90 x 1 1/4"	32	141	105	80	4	1	40	482
-	030030	90 x 1 1/2"	40	141	105	81	4	1	40	493
-	030031	90 x 2"	50	141	105	86	4	1	40	511
-	030032	110 x 1/2"	16	165	116	83	4	1	45	561
-	030033	110 x 3/4"	20	165	116	84	4	1	45	562
-	030034	110 x 1"	25	165	116	87	4	1	36	566
-	030035	110 x 1 1/4"	32	165	116	91	4	1	36	588
-	030036	110 x 1 1/2"	40	165	116	92	4	1	36	600
-	030037	110 x 2"	50	165	116	97	4	1	30	615
-	030038	125 x 3/4"	20	184	124	91	6	1	30	749
-	030039	125 x 1"	25	184	124	94	6	1	30	754
-	030040	125 x 1 1/4"	32	184	124	98	6	1	30	779
-	030041	125 x 1 1/2"	40	184	124	99	6	1	30	781
-	030042	125 x 2"	50	184	124	104	6	1	30	796
-	030043	140 x 1"	25	201	136	101	6	1	24	893
-	030045	140 x 1 1/2"	40	201	136	107	6	1	24	922
-	030046	140 x 2"	50	201	136	112	6	1	20	938
-	030049	160 x 1 1/4":32	223	145	117	6	1	20	1061	
-	030050	160 x 1 1/2":40	223	145	118	6	1	20	1071	
-	030051	160 x 2":50	223	145	123	6	1	20	1080	

W = Weight per unit in grams
 UB = Units per bag
 UC = Units per carton

PRODUCT CATALOGUE

CERTIFICATES/APPROVALS



DISCLAIMER

Whilst every care was taken in compiling this data, information and related material contained herein are subject to change without notification. All detail that this document contains are provided in good faith and therefore no representation or warranty whatsoever regarding the completeness, accuracy, "up to date", or adequacy of, suitability, functionality, omission, or operation is specifically disclaimed of any liability for direct, indirect or consequential loss or damage, however so arising, from the use or reliance on information herein thereafter provided.

INCLEDON

BLOEMFONTEIN	Tel: 051 408 9200	BURGERSFORT	Tel: 013 231 7224	GERMISTON	Tel: 011 323 0800	KATHU	Tel: 053 723 2213
KLERKSDORP	Tel: 018 462 0009	LEPHALALE	Tel: 014 763 5824	NELSPRUIT	Tel: 013 752 3121	POLOKWANE	Tel: 015 292 8660
RUSTENBURG	Tel: 014 591 7700	SECUNDA	Tel: 017 631 4200	UPINGTON	Tel: 054 332 1089	WELKOM	Tel: 057 396 1131
DURBAN	Tel: 031 716 2200	EAST LONDON	Tel: 043 736 6022	PORT ELIZABETH	Tel: 041 409 8000		

DPI TRADING (Western Cape)

CAPE TOWN	Tel: 021 957 5600	GEORGE	Tel: 044 874 2327
-----------	-------------------	--------	-------------------

