



PLASTICA ALFA

PRODUCT CATALOGUE

Threaded
Polypropylene
Fittings



For use with
Polyethylene
Pipes

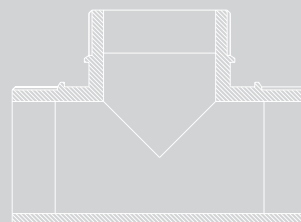
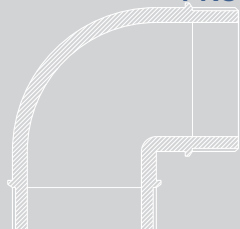


DPI Trading

The most trusted name in quality products & brands

www.dpitrading.co.za

PROUDLY IMPORTED BY



Inclledon

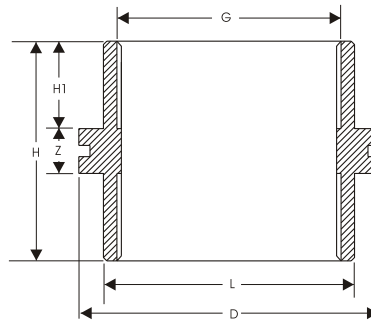
The most trusted name in quality products & brands

www.inclledon.co.za

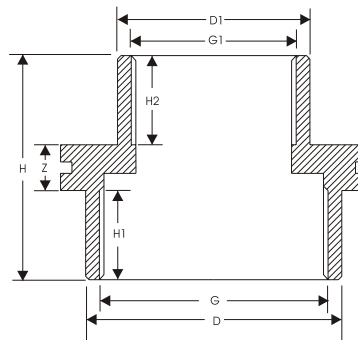
MATERIALS	Body: black polypropylene (PP) Reinforcing ring: stainless steel "AISI 430"
PRESSURE	PN 10 except Female threads Ø4"(PN6) (Maximum working pressure at the temperature of 20°C.)
SANITARY REGULATIONS	Special pieces suitable for the conveyance of drinking water, wine, drinks and alimentary fluids according to the applicable regulations in Italy and other countries. In conformity with the Health Department DM n. 174 of April 2004
DIMENSIONS AND CHARACTERISTICS	The threaded fittings are in conformity with the standard UNI EN 10226/1

Products
SOCKET
15021

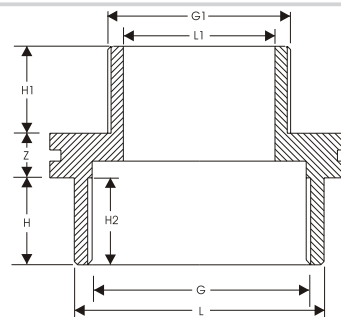
Code	G	L	D	Z	H1	H
401650	½"	30.5	30.5	9.5	52.5	21.5
401651	¾"	25.0	36.0	8.5	52.5	21.5
401652	1"	45.0	45.0	9.5	52.5	21.5
401655	1¼"	41.0	51.0	9.5	52.5	21.5
401656	1½"	64.0	61.6	15.5	54.5	19.5
401660	2"	79.0	79.0	15.5	61.5	23.0
401662	2½"	91.0	95.0	17.5	74.5	28.5
401665	3"	110.0	110.0	17.5	80.5	31.5
401670	4"	135.0	135.0	20.0	96.0	38.0


REDUCING SOCKET
15031

Code	G x G1	L	L1	H	H1	H2	Z
401700	¾" x ½"	36.0	30.0	52.5	21.0	21.0	10.0
401705	1" x ¾"	45.0	37.0	52.5	21.5	20.0	10.0
401710	1¼" x 1"	51.5	45.0	52.5	24.0	20.0	10.0
401715	1½" x 1¼"	62.0	56.0	59.0	23.0	27.0	15.5
401720	2" x 1½"	79.5	62.0	58.0	26.0	22.5	15.5
-	2½" x 2"	95.0	80.0	69.5	28.0	28.0	17.5
-	3" x 2"	110.0	79.0	70.5	32.5	27.5	17.5
-	3½" x 2½"	110.0	95.0	77.0	32.5	32.5	17.5
-	4" x 3"	135.0	110.0	90.0	38.0	34.0	20.0


REDUCING SOCKET F - M
15045

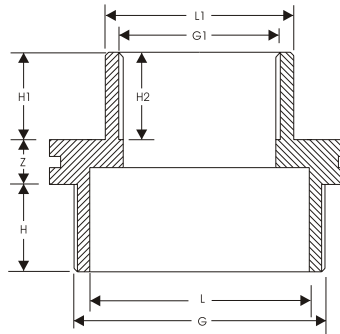
Code	G x G1	L	L1	H	H1	H2	Z
401750	¾" x ½"	36.5	13.5	21.5	22.0	21.0	10.0
401755	1" x ½"	45.0	13.0	21.5	22.0	21.0	10.0
401756	1" x ¾"	45.0	17.0	21.5	22.0	20.0	10.0
-	1¼" x 1"	52.0	23.5	21.5	21.5	22.0	10.0
-	2" x 1½"	95.0	44.0	28.0	26.0	31.0	17.5
-	3" x 2"	110.0	59.0	31.0	29.0	35.0	17.5
-	4" x 3"	135.0	68.0	38.5	34.0	40.0	21.0



REDUCING SOCKET M - F

15040

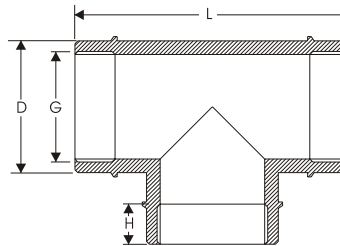
Code	G x G1	L	L1	H	H1	H2	Z
401800	¾" x ½"	17.0	30.0	21.5	21.5	17.0	10.0
401806	1" x ¾"	24.0	36.0	21.5	21.5	20.0	10.0
401812	1½" x ¾"	30.0	36.0	21.5	21.5	18.5	10.0
401813	1½" x 1"	30.0	36.0	22.0	21.5	24.0	10.0
401815	1½" x 1¼"	38.0	52.0	22.0	21.5	27.0	10.0
-	1" x 1½"	43.5	62.0	26.0	19.0	27.0	16.0
-	2½" x 2"	59.0	79.0	29.0	23.0	29.5	16.0
-	3" x 2"	68.0	74.5	31.0	23.0	30.0	17.5
-	3" x 2½"	68.0	95.0	31.0	28.0	37.5	17.5
-	4" x 3"	88.5	110.0	42.0	35.0	31.0	20.5



90° FEMALE THREADED TEE

14062

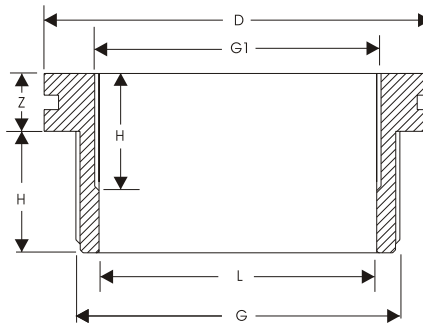
Code	G	L	D	H
402050	½"	57.5	28.0	18
402051	¾"	70.0	34.5	20
402052	1"	88.0	42.6	23
402053	1¼"	96.0	50.5	25
402054	1½"	130.0	65.0	26
402056	2"	140.0	80.0	28
-	2½"	194.0	95.0	28
-	3"	222.0	110.0	35
-	4"	259.0	135.5	36



FEMALE REDUCING BUSH

15041

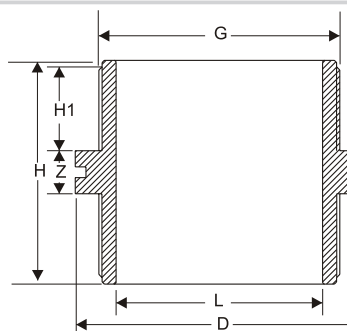
Code	G x G1	D	L	H	H1	Z
400400	¾" x ½"	31.0	17.5	19.5	19.0	10.5
400404	1" x ½"	38.0	17.5	21.5	17.5	10.5
400408	1" x ¾"	38.0	22.5	21.0	19.5	10.5
400412	1¼" x ½"	48.5	29.0	24.5	16.0	10.5
400416	1¼" x ¾"	48.0	28.0	24.5	18.0	10.5
400420	1¼" x 1"	48.5	29.0	24.5	20.0	10.5
400424	1½" x ½"	54.0	29.0	24.0	18.0	11.0
400428	1½" x ¾"	54.0	34.0	24.0	18.5	11.0
400432	1½" x 1"	54.0	29.5	24.0	20.5	11.0
400436	1½" x 1¼"	54.0	37.0	24.0	25.5	11.0
-	2" x ¾"	64.5	45.8	26.0	19.0	15.5
400440	2" x 1"	64.5	46.5	26.0	22.0	15.5
400444	2" x 1¼"	64.5	38.0	26.0	25.0	15.5
400448	2" x 1½"	64.5	43.5	26.0	26.0	15.5
400452	2½" x 2"	80.0	60.0	28.5	24.5	15.5
400456	3" x 1"	93.0	67.5	32.0	21.0	17.5
400464	3" x 2"	93.0	68.5	32.0	26.0	17.5
400468	3" x 2½"	93.0	70.5	32.0	30.5	17.5
400472	4" x 2"	135.0	88.0	43.0	25.5	21.0
400476	4" x 3"	135.0	88.0	43.0	34.0	21.0



NIPPLE

15020

Code	G	L	Z	H	H1
401450	½"	13.5	10.5	45.0	17.2
401451	¾"	17.5	10.5	48.5	19.5
401452	1"	23.0	10.5	52.5	21.5
401453	1¼"	29.5	10.5	59.0	24.5
401454	1½"	35.0	10.5	59.0	24.5
401456	2"	44.0	15.5	66.5	25.5
401458	2½"	59.0	15.5	72.5	28.5
-	4"	96.5	20.0	105.5	42.9





PLASTICA ALFA

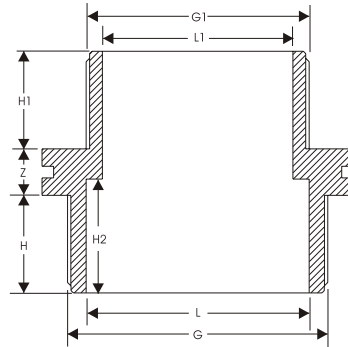
Technical Information

Compression Fittings

REDUCING NIPPLE

15030

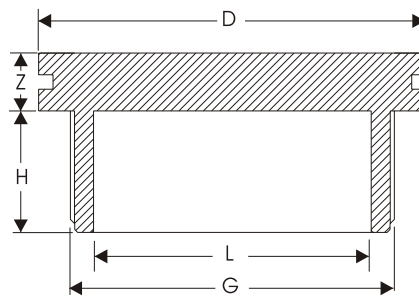
Code	G x G1	L	L1	H	H1	H2	Z
401500	3/4" x 1/2"	17.5	13.0	19.0	18.0	24.5	10.5
401506	1" x 1/2"	23.0	13.0	21.5	17.5	26.5	10.5
401507	1" x 3/4"	23.0	17.5	21.5	19.5	26.5	4.0
401515	1 1/4" x 3/4"	30.0	17.5	21.5	21.5	24.0	6.0
401516	1 1/4" x 1"	30.0	23.0	24.0	21.0	29.0	10.5
401520	1 1/2" x 1"	35.0	23.0	21.0	21.0	24.0	6.0
401521	1 1/2" x 1 1/4"	35.0	30.0	24.0	24.0	29.0	10.5
401526	2" x 1 1/2"	44.0	35.0	26.0	24.0	33.0	15.5
401530	2 1/2" x 2"	59.0	44.0	28.5	26.0	36.0	15.5
401538	3" x 2"	67.5	44.0	31.5	26.0	40.0	17.0
401540	3 1/2" x 2 1/2"	67.5	59.0	31.5	28.5	40.0	17.0
401548	4" x 3"	96.0	67.5	43.0	34.0	53.0	20.5



THREADED PLUG

16010

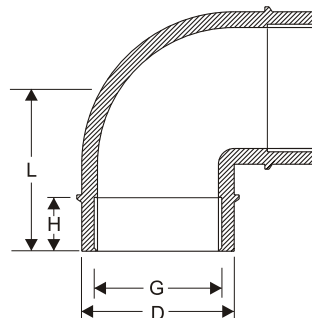
Code	G	L	D	Z	H
401600	1/2"	14.0	25.5	7.5	17.5
401601	3/4"	17.5	31.0	9.5	19.0
401602	1"	23.0	38.0	10.5	22.0
401603	1 1/4"	29.0	48.0	10.5	24.5
401604	1 1/2"	34.5	54.0	10.5	24.5
401606	2"	43.5	64.0	15.5	25.5
-	2 1/2"	59.7	80.0	15.5	28.5
-	3"	67.0	93.0	17.5	31.0
-	4"	96.0	135.0	20.5	43.0



90° FEMALE THREADED ELBOW

16050

Code	G	L	D	H
401111	1/2"	29.0	28.0	17.0
401112	3/4"	36.0	34.5	21.5
401113	1"	44.0	42.5	23.0
401114	1 1/4"	48.4	51.0	24.0
401115	1 1/2"	56.0	64.0	27.0
401116	2"	69.5	80.0	29.0
401117	2 1/2"	98.0	95.5	29.0
401118	3"	108.0	110.0	30.5
401119	4"	127.5	135.0	35.0



DISCLAIMER

Whilst every care was taken in compiling this data, information and related material contained herein are subject to change without notification. All detail that this document contains are provided in good faith and therefore no representation or warranty whatsoever regarding the completeness, accuracy, "up to date", or adequacy of, suitability, functionality, omission, or operation is specifically disclaimed of any liability for direct, indirect or consequential loss or damage, however so arising, from the use or reliance on information herein thereafter provided.

INCLEDON

BLOEMFONTEIN Tel: 051 408 9200

BURGERSFORT Tel: 013 231 7224

GERMISTON Tel: 011 323 0800

KATHU Tel: 053 723 2213

KLERKSDORP Tel: 018 462 0009

LEPHALALE Tel: 014 763 5824

NELSPRUIT Tel: 013 752 3121

POLOKWANE Tel: 015 292 8660

RUSTENBURG Tel: 014 591 7700

SECUNDA Tel: 017 631 4200

UPINGTON Tel: 054 332 1089

WELKOM Tel: 057 396 1131

DURBAN Tel: 031 716 2200

EAST LONDON Tel: 043 736 6022

PORT ELIZABETH Tel: 041 409 8000

DPI TRADING (Western Cape)

CAPE TOWN Tel: 021 957 5600

GEORGE

Tel: 044 874 2327

