

Double Acting

Semi-Rotary



Hand

Wing

Pumps



## DOUBLE ACTING SEMI-ROTARY HAND WING PUMPS – TYPE ‘K’

The simple and robust design, quality of materials and workmanship guarantee long and effective service.

These pumps are suitable for the handling of clear and light liquids such as water, petrol, diesel and all fuels, paraffin, alcohol, light chemicals solutions, edible oils etc. and are the only hand pumps safe for use with very hot liquids - up to 80°C (176°F).

### OPERATION

The pumps are operated by the movement of the handle which causes the shaft and the wing piston, fitted with flap valves, to semi-rotate within the pump. Also enclosed in the body of the pump is the suction divided, fitted with flaps. Gland packing compressed by the gland ring and nut acts as a seal between the shaft and the pump cover. The standard model has threaded flanges and is supplied with threaded counter flanges. Two lugs facilitate the mounting of the pump to a wall or similar.

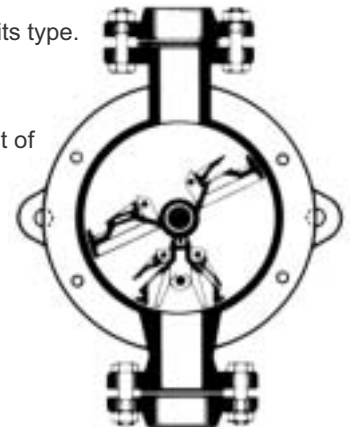
### FEATURES

The Sigma “K” Pump incorporates many original technical features which make it the best of its type.

Reinforced inlet, discharge and lugs - prevent breakage even if subjected to rough treatment.

The tapered internal body - this unique technological advantage assures automatic settlement of the wings in the body and guarantees smooth efficient operation even after years of usage.

A frost plug quality control - each pump is individually tested to a suction lift of 7m of water and 20m of delivery head.



### MATERIALS OF CONSTRUCTION

#### Standard model – Type ‘K’

Casing:	Cast Iron
Internals:	Brass
Shaft:	Steel
Gland Packing:	Cotton saturated with Teflon (asbestos-free)

#### Availability

Substantial stocks – Sizes 0-7 in Standard Construction ensure prompt deliveries.

SIGMA Type “K” Pumps meet all major European industrial standards.



Standard Model – type ‘K’ is in green colour, red is available upon request and other colours by special order.

**Beware of TYPE ‘K’ imitations - Buy genuine Sigma**

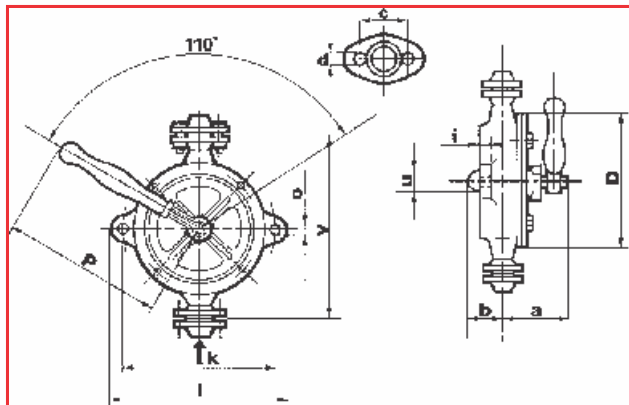
# ORIGINAL HAND PUMPS

## GENERAL INFORMATION – STANDARD MODEL

Type	K-00	K-0	K-1	K-2	K-3	K-4	K-5	K-7
<b>Size in inches</b>	$\frac{3}{8}$ "	$\frac{1}{2}$ "	$\frac{3}{4}$ "	1"	$1\frac{1}{4}$ "	$1\frac{1}{4}$ "	$1\frac{1}{2}$ "	2"
<b>Weight*</b> kg	3.2	5.1	6.1	8.8	11.5	12.6	16	32
Lbs	7	11.2	13.4	19.4	25.4	27.8	35.3	70.5
<b>Double strokes*</b> (per min)	80	65	60	55	50	50	45	40
LPM	7.5	11.5	17.25	22.5	29	43.25	53.5	90
<b>Capacity</b>								
GPM	1.65	2.5	3.75	5	6.5	9.5	11.75	19.8
<b>Max</b> m	25	25	25	25	22	22	20	15
<b>Delivery</b>								
Head feet	82	82	82	82	72	72	66	49
<b>Pieces per case</b>	30	30	25	15	10	8	6	3
gross	117	174	174	153	136	122	117	116
<b>Weight per case</b>								
net	96	153	153	132	115	101	96	95

Suction lift for all sizes, with a maximum of 7m.  
For prolonged use at depth below 3m,  
a foot valve should be fitted.

Measurements for the  
letter symbols can be  
found in the table  
below.



## DIMENSIONS (TYPE K)

Size	K-00	K-0	K-1	K-2	K-3	K-4	K-5	K-7
<b>D</b>	100	135	150	170	200	220	245	288
<b>a</b>	90	140	140	145	170	190	200	273
<b>b</b>	45	55	55	60	62	74	76	72
<b>i</b>	7.5	10	10	10	12	12	12	15
<b>k</b>	98	130	150	170	200	220	240	310
<b>v</b>	110	175	205	230	275	295	320	360
<b>l</b>	120	160	180	200	240	255	275	360
<b>o</b>	7	13	13	13	13	13	13	15
<b>p</b>	220	300	300	360	450	500	600	620
<b>u</b>	32	25	25	30	30	30	35	50
<b>c</b>	-	55	65	75	90	90	100	100
<b>d</b>	-	9.5	9.5	9.5	14	14	14	15
<b>in/out BSP</b>	$\frac{3}{8}$ "	$\frac{1}{2}$ "	$\frac{3}{4}$ "	1"	$1\frac{1}{4}$ "	$1\frac{1}{4}$ "	$1\frac{1}{2}$ "	2"

\* Dimensions in mm

**COMPONENTS OF THE "K" PUMP**



1	Casing	8	Gland Ring
2	Cover	9	Shaft Nut
3	Gland	10	Washer
4	Wing Piston with Flaps & Shaft	11	Counterflange
5	Suction Divider with Flaps	12	Flange Bolt & Nut
6	Handle	13	Cover Bolt & Nut
7	Gland Packing	14	Flange Joint

**MAIN USERS OF 'K' PUMPS**

- Ⓜ Diesel Engine Manufacturers
- Ⓜ Petro-Chemical Industry
- Ⓜ Marine Applications
- Ⓜ Construction Industry
- Ⓜ Agricultural Industry
- Ⓜ Garage Equipment
- Ⓜ Reliable Back-Up for Electrical Pumps



**Beware of TYPE 'K' imitations - Buy genuine Sigma**

**INCLEDON**

BLOEMFONTEIN	Tel: 051 408 9200	BURGERSFORT	Tel: 013 231 7224	GERMISTON	Tel: 011 323 0800	KATHU	Tel: 053 723 2213
KLERKSDORP	Tel: 018 462 0009	LEPHALALE	Tel: 014 763 5824	NELSPRUIT	Tel: 013 752 3121	POLOKWANE	Tel: 015 292 8660
RUSTENBURG	Tel: 014 591 7700	SECUNDA	Tel: 017 631 4200	UPINGTON	Tel: 054 332 1089	WELKOM	Tel: 057 396 1131
DURBAN	Tel: 031 716 2200	EAST LONDON	Tel: 043 736 6022	PORT ELIZABETH	Tel: 041 409 8000		

**DPI TRADING (Western Cape)**

CAPE TOWN Tel: 021 957 5600 GEORGE Tel: 044 874 2327

