

Cast Iron

General Purpose

Valves



Value

Performance

Quality



WAFER TYPE VALVES

CAST IRON VALVES

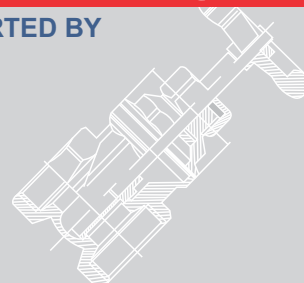
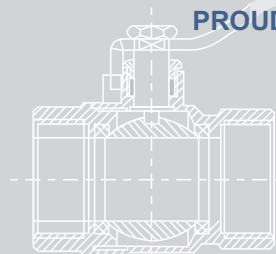
CONFIDENCE IN VALVE TECHNOLOGY

PROUDLY IMPORTED BY

DPI Trading

The most trusted name in quality products & brands

www.dpitrading.co.za



Inclledon

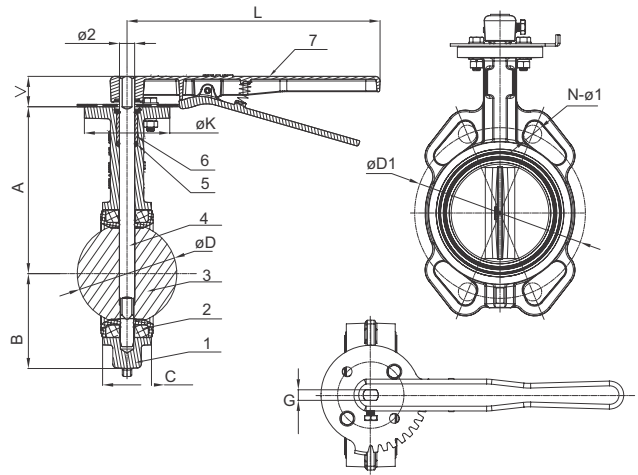
The most trusted name in quality products & brands

www.inclledon.co.za

Cast Iron Wafer Type Butterfly Valve- Lever Operated



- Design Standard: BS EN 593
- Connection Ends: BS EN 1092 PN10/PN16,
- AS 2129 TABLE E, JIS B2212 10K, BS 10 TABLE D/E
- Top Flange Standard: ISO 5211
- Stem drive diagonal square
- Working Pressure PN10/PN16
- Temperature Range: 0°C - 80°C
- Coating: Fusion Bonded Epoxy Coating in accordance with ANSI/AWWA C550

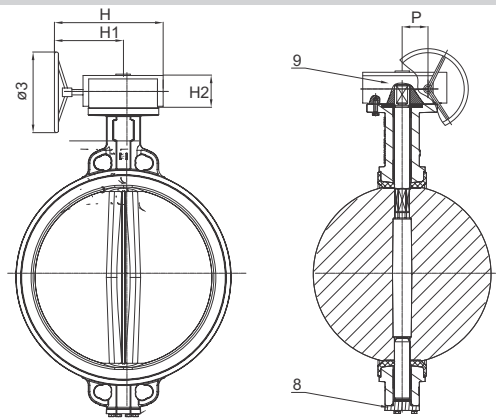


Code DI Disc	Code S/S Disc	DN Inch/mm	Dimensions(mm)											
			A	B	V	C	ØD	2.00	ØK	G	L	ØD1	N-Ø1	ISO
140250	140290	50mm (2")	140.50	64.50	32	43	53.90	14.00	90	9.53	267	125	4-019	F07
140251	140291	65mm (2.5")	153.00	72.00	32	46	65.20	14.00	90	9.53	267	145	4-019	F07
140252	140292	80mm (3")	157.50	86.00	32	46	79.70	14.00	90	9.53	267	160	8-019	F07
140253	140293	100mm (4")	176.00	100.00	32	52	105.00	16.00	90	11.14	267	180	8-019	F07
140254	140294	125mm (5")	191.00	112.00	32	56	130.00	16.00	90	11.14	267	210	8-019	F07
140255	140295	150mm (6")	202.50	128.00	32	56	156.00	20.00	90	12.70	267	240	8-023	F07
140256	140296	200mm (8")	243.50	162.00	45	60	206.70	26.00	125	20.60	356	295	12-023	F10
140257	140297	250mm (10")	273.00	194.00	45	68	253.30	26.00	125	20.60	490	355	12-028	F10
140258	140300	300mm (12")	311.00	223.00	45	78	301.90	28.00	125	22.10	490	410	12-028	F10

Cast Iron Wafer Type Butterfly Valve - Gearbox Operated (350mm+)



- Design Standard: BS EN 593
- Connection Ends: BS EN 1092 PN10/PN16,
- AS 2129 TABLE E, JIS B2212 10K, BS 10 TABLE D/E
- Top Flange Standard: ISO 5211
- Stem drive diagonal square
- Working Pressure PN10/PN16
- Temperature Range: 0°C - 80°C
- Coating: Fusion Bonded Epoxy Coating in accordance with ANSI/AWWA C550



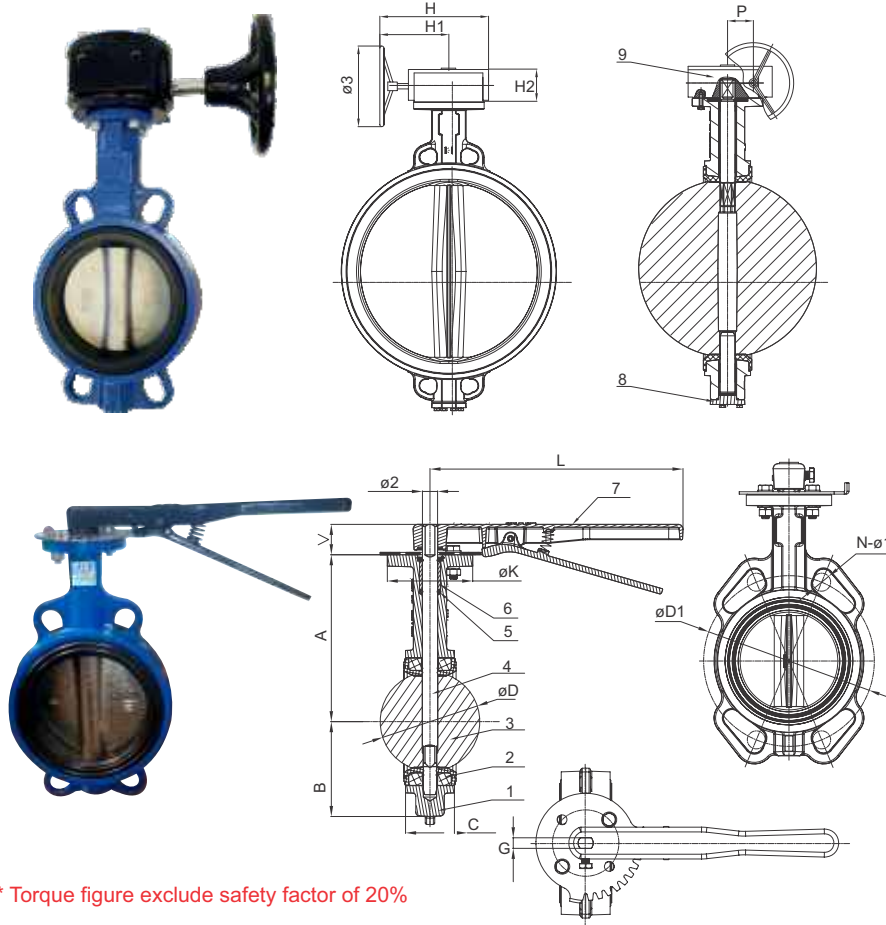
Code DI Disc	Code S/S Disc	DN Inch/mm	Dimensions(mm)											
			A	B	V	C	ØD	Ø2	ØK	G	L	ØD1	N-Ø1	ISO 5211
140270	140310	80mm (3")	157.5	86.0	32	46	79.7	14.00	90	9.53	267	160	8-019	F07
140271	140311	100mm (4")	176.0	100.0	32	52	105.0	16.00	90	11.14	267	180	8-019	F07
140272	140312	125mm (5")	191.0	112.0	32	56	130.0	16.00	90	11.14	267	210	8-019	F07
140273	140313	150mm (6")	202.5	128.0	32	56	156.0	20.00	90	12.70	267	240	8-023	F07
140274	140314	200mm (8")	243.5	162.0	45	60	206.7	26.00	125	20.60	356	295	12-023	F10
140275	140315	250mm (10")	273.0	194.0	45	68	253.3	26.00	125	20.60	490	355	12-028	F10
140276	140316	300mm (12")	311.0	223.0	45	78	301.9	28.00	125	22.10	490	410	12-028	F10
140277	140317	350mm (14")	340.0	267.0	48	78	333.9	31.60	150	22.10	-	470	16-028	F12
140278	140318	400mm (16")	400.0	319.5	48	102	389.6	33.20	175	27.00	-	525	16-031	F14
140279	-	500mm (20")	480.0	380.0	70.2	127	492.4	41.20	210	-	-	650	20-034	F16

* S/S = Stainless Steel

* Torque figure exclude safety factor of 20%

* All measurements are in mm

Cast Iron Wafer Type Butterfly Valve - Gearbox Operated (350mm+)



Dimensions(mm)				
3	H	H1	H2	P
150	206	158	52	43.5
150	206	158	52	43.5
150	206	158	52	43.5
150	206	158	52	43.5
300	310	239	69	62.5
300	310	239	69	62.5
300	307	229	73	77.5
300	307	229	73	77.5
380	418	288	110	120
380	465	215	123	185

MATERIALS

Part No.	Part	Standard Specification
1	Valve Body	EN-GJS-450-10
2	Seat	DN40-400: EPDM & Backing DN450-750: EPDM Vulcanized on Valve Body
3	Disc	EN-GJS-450-10
4	Stem	DN50-350: SS420, One-Piece Stem Design DN400-750: SS431, Two-Piece Stem Design
5	O-Ring	NBR
6	Bushing	DN40-350: Nylon 1010 DN400-750: Lubricating Bronze
7	Lever	EN-GJS-450-10
8	Shaft Cover (DN400-750)	EN-GJS-450-10
9	Gear Box	Cast Iron EN-GJL-200

* Torque figure exclude safety factor of 20%

Cast Iron Wafer Type Check Valve - Single Door

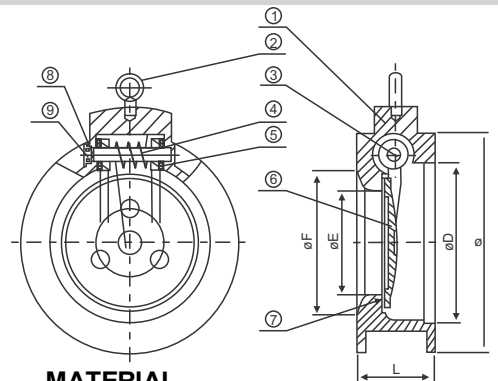


SPECIFICATION

Pressure rated 16 BAR - fusion bonded epoxy coated - GG 25 material. Disc Stainless Steel 316(CF8M)

APPLICATION

Suitable for T/D, PN10/16, and ASA150 flanges. Can be installed in a vertical or horizontal position. When installed in a vertical position flow must be in upward direction



MATERIAL

NO.	PARTS	MATERIAL
1	Body	Ductile Iron
2	Hanger	ZG35 Carbon Steel
3	Stem	SS 421
4	Spring	SS304
5	Gasket2	NBR
6	Plate	Stainless Steel
7	O ring	NBR EPDM VITON
8	Gasket	NBR
9	Screw block	Carbon Steel

DIMENSIONS

Code	Size	L	D	ØE	ØF	Ø	
						DIN2501/BS4504	PN10/ PN16
118497	50(2")	44.5	64.0	33.0	60.0	107	
-	65(2½")	47.6	79.0	42.9	73.0	127	
118499	80(3")	50.8	92.5	52.4	83.5	142	
118500	100(4")	57.2	118.0	76.2	106.0	162	
-	125(5")	63.5	147.0	95.0	128.0	192	
118501	150(6")	69.9	178.5	118.0	150.0	218	
118502	200(8")	73.0	235.0	163.5	200.0	273	
-	250(10")	79.4	281.0	193.7	238.0	328	329
-	300(12")	85.7	335.0	241.3	287.0	378	384
-	350(14")	108.0	364.0	266.0	310.0	438	446
-	400(16")	108.0	424.0	318.0	364.0	489	498

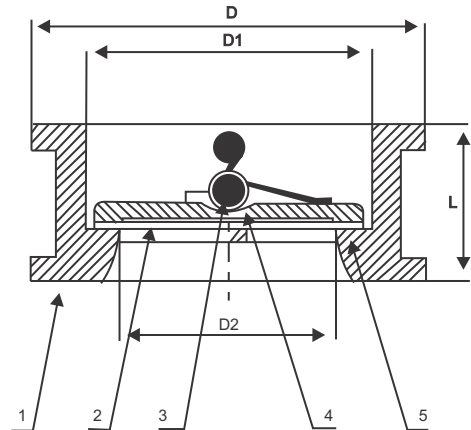
S/S = Stainless Steel

* All measurements are in mm

Cast Iron Wafer Type Check Valve - Double Door



- Connection Ends: BS EN 1092 PN10/PN16, AS 2129 Table E, JIS B2212 10K, BS 10 Table D/E
- Working Pressure: PN10/PN16
- Temperature Range: 0°C - 80°C
- Coating: Fusion Bonded Epoxy Coating in accordance with ANSI/AWWA C550



DIMENSIONS

Code NP Disc	Code S/S	DN Inch/mm	Dimensions (mm)				
			PN	L	D	D1	D2
116412	116150	50mm (2")	10/16	54	107	64	46
116413	116151	65mm (2.5")	10/16	54	127	78	60
116414	116152	80mm (3")	10/16	57	142	94	70
116415	116153	100mm (4")	10/16	64	162	117	84
116416	116294	125mm (5")	10/16	70	192	145	115
116417	116154	150mm (6")	10/16	76	218	170	134
116418	116155	200mm (8")	10/16	95	273	224	184
116419	116156	250mm (10")	10/16	108	328	265	220
116420	116157	300mm (12")	10/16	143	378	310	260
-	-	350mm (14")	10/16	184	438	360	302
-	-	400mm (16")	10/16	191	489	410	350

MATERIAL

NO.	PARTS	MATERIAL
1	Body	Ductile Iron
2	Disc	NP/SS304
3	Stem	SS420
4	Spring	SS304
5	Rubber Seat	NBR

- * NP - Nickel Plating
- * SS - Stainless Steel



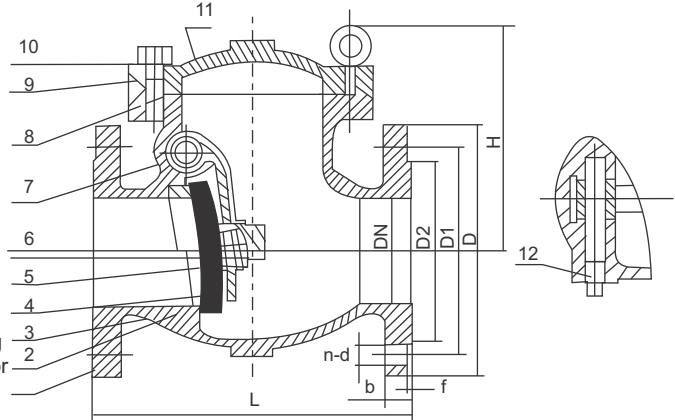
S/S = Stainless Steel

* All measurements are in mm

Cast Iron Swing Type Check Valve - Flanged Ends



- Connection Ends: Flange to BS EN 1092-2:1997
- Working Pressure: PN 10/PN 16
- Temperature Range: Rubber Seal: 0°C - 80°C, Metal Seal 10°C - 350°C
- Coating: Fusion Bonded Epoxy Coating in accordance with ANSI/AWWA C550 or painting upon request



DIMENSION

Code	DN Inch/mm	PN	Dimensions (mm)							
			L	D	D1	D2	b	n-ø d	f	H
047486	50mm (2")	10/16	203	165	125	99	19.00	4-19	3	146
-	65mm (2½")	10/16	216	185	145	118	19.00	4-19	3	155
047494	80mm (3")	10/16	241	200	160	132	19.00	8-19	3	173
047502	100mm (4")	10/16	292	220	180	156	19.00	8-19	3	180
-	125mm (5")	10/16	330	250	210	184	19.00	8-19	3	212
047510	150mm (6")	10/16	356	285	240	211	19.00	8-23	3	260
047518	200mm (8")	10	495	340	295	266	20.00	8-23	3	290
-		16	495	340	295	266	20.00	12-23	3	290
-	250mm (10")	10	622	405	350	319	22.00	12-23	3	339
-		16	622	405	355	319	22.00	12-28	3	339
-	300mm (12")	10	698	460	400	370	24.50	12-23	4	376
-		16	698	460	410	370	24.50	12-28	4	376

MATERIALS

Part No.	Part	Standard Specification
1	Valve Body	Ductile Iron
2	Seat Ring	Bronze ASTM B62 C83600/ZQSn5-5-5 Pressed Fit
3	Disc	Ductile Iron & EPDM
4	Clapper Arm	Ductile Iron
5	Washer	SS420
6	Nut	Carbon Steel Zinc Plated
7	High Pin	SS420
8	Bonnet Gasket	EPDM
9	Botl	Carbon Steel Zinc Plated
10	Washer	Carbon Steel Zinc Plated
11	Bonnet Gasket	Ductile Iron
12	Plug	Malleable Iron Galvanized

Cast Iron Ball Valve - Flanged Ends



SPECIFICATION

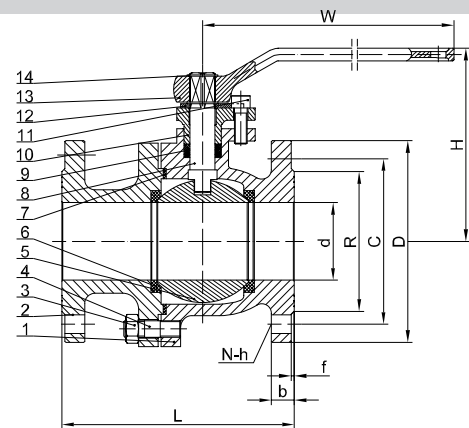
Press rated 16 BAR - fusion bonded epoxy coated - GG 25 material. 304 Stainless Steel ball - full bore

APPLICATION

Control flow, isolation.
Air Conditioning
Water Reticulation

FEATURES

* Compact design * bonded liner * PN16 Bar operating pressure rated * suitable for actuation



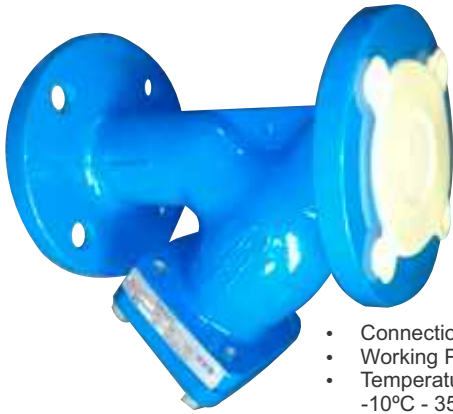
DIMENSION

Code	Size	DN	d	L	L2	H	W	D	C	R	b	N-h	f
-	1"	25mm	25	127	107	160	115	85	68	16	4-Ø14	2	
-	1½"	40mm	40	165	130	250	150	110	88	18	4-Ø18	3	
051484	2"	50mm	50	203	178	146	250	165	125	102	20	4-Ø18	3
-	2½"	65mm	65	222	190	176	350	185	145	122	20	4-Ø18	3
051485	3"	80mm	80	241	203	222	350	200	160	138	22	8-Ø18	3
051486	4"	100mm	100	305	229	222	400	220	180	158	24	8-Ø18	3
-	5"	125mm	125	356	250	400	250	210	188	26	8-Ø18	3	
051487	6"	150mm	150	394	275	600	285	240	212	26	8-Ø22	3	
-	8"	200mm	200	457	-	-	340	295	268	30	12-Ø22	3	

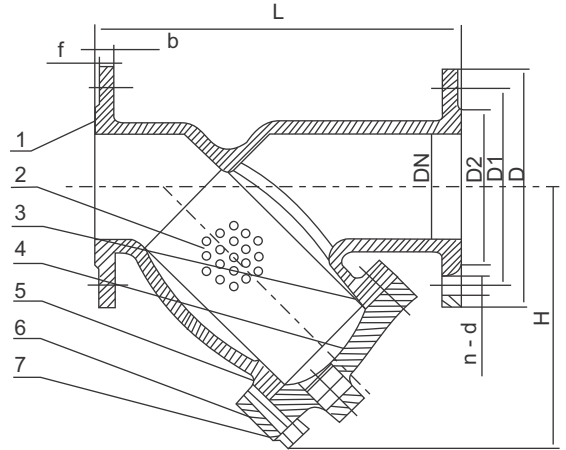
MATERIALS

Item	Name	Material
1	Body	Cast iron (BS1452220)
2	Bonnet	Cast iron (BS1452220)
3	Nut	Carbon steel
4	Bolting	Carbon steel
5	Ball	Stainless steel 304
6	Seat	PTFE
7	Gasket	PTFE
8	Stem	Stainless steel 304
9	Stem Packing	PTFE
10	Gland flange	Cast iron (BS1452220)
11	Gland bolt	Carbon steel
12	Stop collar	Carbon steel
13	Lever	Ductile iron
14	Circlip	Carbon steel

Cast Iron Y-Type Strainer - Flanged Ends



- Connection Ends: Flange to BS EN 1092-2-1997
- Working Pressure: PN 10/ PN 16
- Temperature Range: 0°C - 80°C rubber gasket
-10°C - 350°C graphite gasket
- Coating: Fusion Bonded Epoxy Coating in accordance with ANSI/AWWA C550



DIMENSION

Code	DN Inch/mm	PN	Dimensions (mm)							
			L	D	D1	D2	b	n-ø d	f	H
051438	50mm (2")	10/16	230	165	125	99	19.0	4-ø19	3	140.0
051439	65mm (2½")	10/16	290	185	145	118	19.0	4-ø19	3	175.0
051440	80mm (3")	10/16	310	200	160	132	19.0	8-ø19	3	198.0
051441	100mm (4")	10/16	350	220	180	156	19.0	8-ø19	3	229.0
-	125mm (5")	10/16	400	250	210	184	19.0	8-ø19	3	287.0
051443	150mm (6")	10/16	480	285	240	211	19.0	8-ø23	3	304.0
051450	200mm (8")	10	600	340	295	286	20.0	8-ø23	3	370.5
		16						12-ø23		
051451	250mm (10")	10	730	405	350	319	22.0	12-ø23	3	469.0
		16			355			12-ø28		
051422	200mm (12")	10	850	460	400	370	24.5	12-ø23	4	540.0
		16			410			12-ø28		

MATERIALS

Part No.	Part	Standard Specifications
1	Valve Body	Ductile Iron
2	Screen	SS304 (perforated)
3	Gasket	EPDM
4	Bonnet	Ductile Iron
5	Plug	Malleable Iron Galvanized
6	Bolt	Carbon Steel Zinc Plated
7	Flat Washer	Carbon Steel Zinc Plated

Cast Iron Y-Type Strainer F x F (Female Threaded Ends)



SPECIFICATION

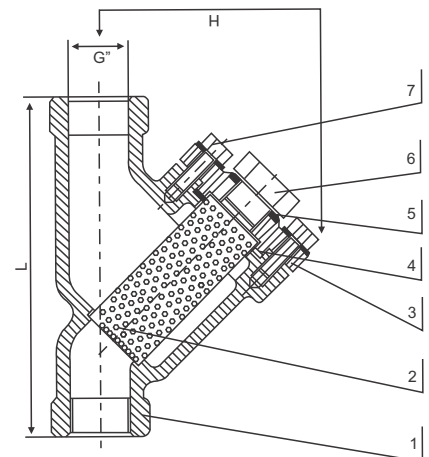
Pressure rated 10 BAR - Test pressure body 20 BAR - fusion bonded epoxy coated

APPLICATION

Protection of pumps, valves, steam traps and keeps scale, dirt, corrosion deposits and any foreign matter from damaging line equipment

FEATURES

Compact * easy flushing * stainless steel filter mesh.



DIMENSIONS

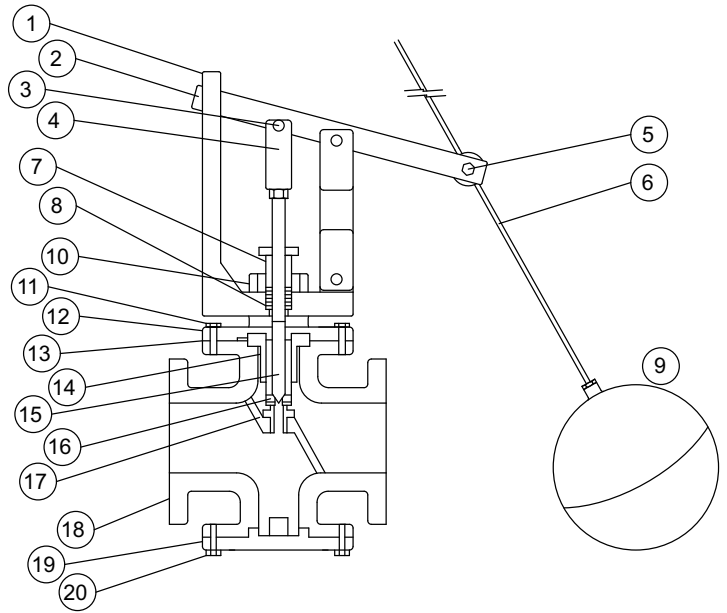
Code	Size	DN	L	G"	H
051430	15mm (½")	15	90	½"	85
051431	20mm (¾")	20	100	¾"	94
051432	25mm (1")	25	120	1"	98
051433	32mm (1¼")	32	140	1¼"	120
051434	40mm (1½")	40	170	1½"	140
051435	50mm (2")	50	200	2"	160
051436	65mm (2½")	65	260	2½"	190
051437	80mm (3")	80	280	3"	210

MATERIAL

NO.	PARTS	MATERIAL
1	Body	GG25 Cast Iron
2	Filter	SUS304 Stainless Steel
3	Bonnet	GG25 Cast Iron
4	Gasket	Flexible Graphite
5	Gasket	Flexible Graphite
6	Gasket	A3
7	Plug	GGG40
8	Bolt	Q235 Mild Steel

* All measurements are in mm

Cast Iron Equilibrium Float Valve - Flanged Ends



SPECIFICATION

Cast Iron Body, Flanged. PN10 pressure rated. Piston, Yoke, Lever & Ball Stainless Steel Gr.304

APPLICATION

Mechanical float valve to automatically control the levels in tanks & reservoirs

CAPACITY

* Measured in kg/h

PRESSURE	2" (50mm)	2 ½" (65mm)	3"(100mm)	4"(125mm)	5"(125mm)	6"(150mm)	8"(200mm)
1kg	22300	38600	64300	77100	128500	197000	325600
2kg	31500	54500	90800	109000	181700	278700	460500
3kg	38500	55200	111400	133600	222600	341400	564000
4kg	44600	77100	128500	154200	257100	394200	651200
5kg	50000	86400	144000	172800	287900	441500	729400

DIMENSIONS

CODE	SIZE	L	H	1	D	L1
		End to End	Height	Lever	Ball dia (inch)	Float Arm
049108	50mm (2")	215	295	400	8" (200mm)	600
049109	80mm (3")	250	317	400	10" (250mm)	1000
049110	100mm 4")	280	340	400	10" (250mm)	1000
049111	150mm (6")	380	370	400	10" (250mm)	1000
049112	200mm (8")	440	390	400	10" (250mm)	1000

MATERIALS

NO.	PARTS	MATERIAL
1	Body	Cast Iron (BS1452220)
2	Bonnet	Cast Iron (BS1452220)
3	Nut	Carbon Steel
4	Bolting	Carbon Steel
5	Ball	Stainless Steel 304
6	Seat	PTFE
7	Gaskert	PTFE
8	Stem	Stainless Steel 304
9	Stem Packing	PTFE
10	Gland Flange	Cast Iron (BS1452220)
11	Gland Bolt	Carbon Steel
12	Stop Collar	Carbon Steel
13	Lever	Ductile Iron
14	Circlip	Carbon Steel

* All measurements are in mm

PRODUCT CATALOGUE



DISCLAIMER

Whilst every care was taken in compiling this data, information and related material contained herein are subject to change without notification. All detail that this document contains are provided in good faith and therefore no representation or warranty whatsoever regarding the completeness, accuracy, "up to date", or adequacy of, suitability, functionality, omission, or operation is specifically disclaimed of any liability for direct, indirect or consequential loss or damage, however so arising, from the use or reliance on information herein thereafter provided.

INCLEDON

BLOEMFONTEIN	Tel: 051 408 9200	BURGERSFORT	Tel: 013 231 7224	GERMISTON	Tel: 011 323 0800	KATHU	Tel: 053 723 2213
KLERKSDORP	Tel: 018 462 0009	LEPHALALE	Tel: 014 763 5824	NELSPRUIT	Tel: 013 752 3121	POLOKWANE	Tel: 015 292 8660
RUSTENBURG	Tel: 014 591 7700	SECUNDA	Tel: 017 631 4200	UPINGTON	Tel: 054 332 1089	WELKOM	Tel: 057 396 1131
DURBAN	Tel: 031 716 2200	EAST LONDON	Tel: 043 736 6022	PORT ELIZABETH	Tel: 041 409 8000		

DPI TRADING (Western Cape)

CAPE TOWN Tel: 021 957 5600 GEORGE Tel: 044 874 2327

