

**Brass
Industrial
Valves**

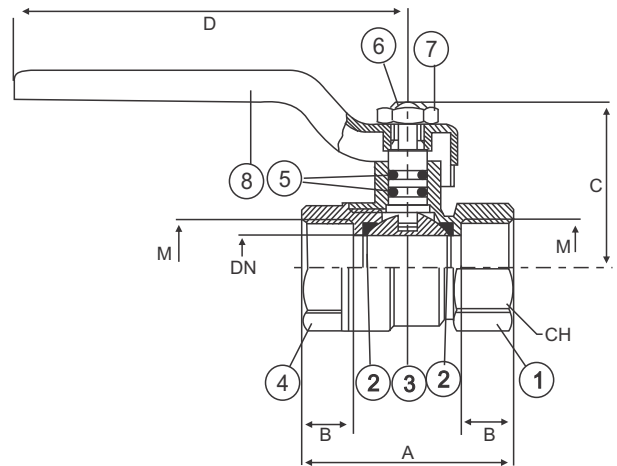


**Commercial
Domestic
Industrial**



“ECO” STANDARD BORE BALL VALVE F.F. FROM 1/2” TO 2” (15 - 50mm)

art. 36



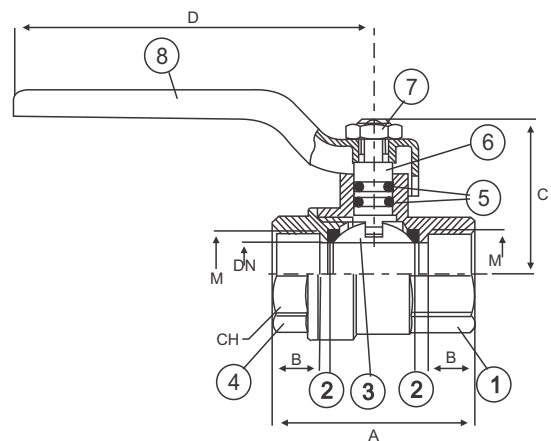
Code	M inch	M mm	DN	A	B	C	D	E	PN Bar
051290	1/2"	15	14.0	45.0	11	42.0	84	11	20
051291	3/4"	20	18.5	51.5	12	46.0	84	12	21
051292	1"	25	23.5	65.0	14	58.0	110	14	22
-	1 1/4"	32	30.0	73.0	15	71.5	140	48	23
-	1 1/2"	40	37.5	84.0	16	77.0	140	54	24
-	2"	50	47.0	99.0	18	84.0	140	67	25

MATERIALS

NO	NAME	MATERIAL
1	Body	Hot pressed brass CW617N
2	Ball seal	P.T.F.E.
3	Ball	Hot pressed brass CW617N
4	Coupling	Hot pressed brass CW617N
5	Stem seal	O-ring NBR 70
6	But	ZINC plated steel
7	Stem seal	Brass CW614n
8	Handle	Vanished steel

NP FULL BORE BALL VALVE LEVER OPERATED F.F From 1/4 to 4" (8mm - 100mm)

art. 40



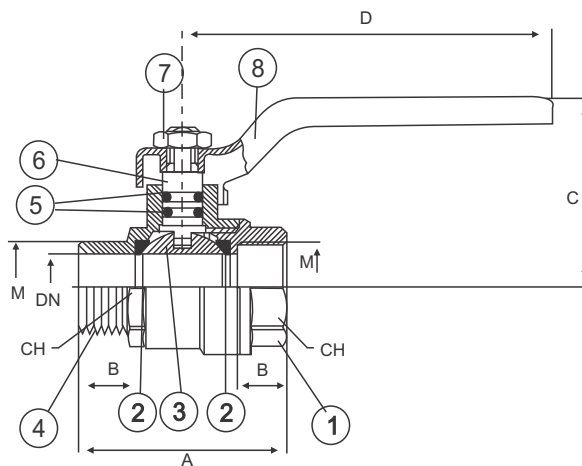
Code	M inch	M mm	DN	A	B	C	D	CH	PN Bar
051293	1/4"	8	10	40	9.0	39	84	17	30
051294	3/8"	10	10	40	9.0	39	84	20	30
051295	1/2"	15	15	48	11.0	43	84	25	30
051296	3/4"	20	20	56	12.5	52	110	31	30
051297	1"	25	25	67	14.5	57	110	38	30
051298	1 1/4"	32	32	80	16.0	72	140	48	25
051299	1 1/2"	40	40	92	18.0	79	140	54	25
051300	2"	50	50	107	20.0	88	170	67	25
051301	2 1/2"	65	63	132	23.0	125	240	84	12
051302	3"	80	76	152	25.0	135	240	97	12
051303	4"	100	100	172	30.0	149	300	122	12

MATERIALS

NO	NAME	MATERIAL
1	Body	Hot pressed brass CW617N
2	Ball seal	P.T.F.E.
3	Ball	Hot pressed brass CW617N
4	Coupling	Hot pressed brass CW617N
5	Stem seal	O-ring NBR 70
6	Stem seal	Brass CW614n
7	Nut	Steel
8	Handle	Vanished steel

NP FULL BORE BALL VALVE LEVER OPERATED M.F From 1/4 - 2" (8 - 50mm)

art. 41



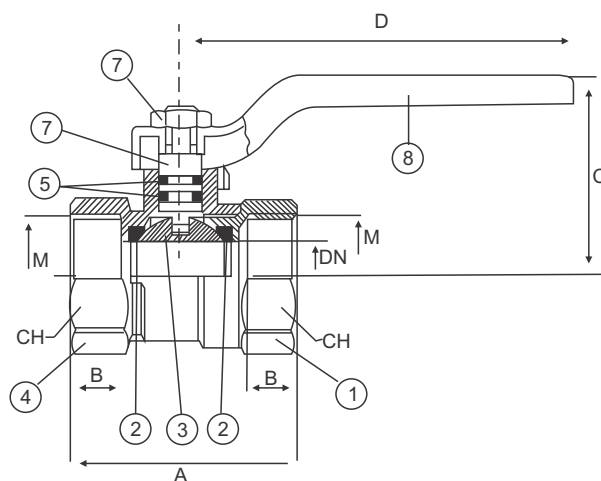
Code	M inch	M mm	DN	A	B	C	D	CH	PN Bar
-	1/4"	8	8	40	9.0	39	84	17.0	30
-	3/8"	10	10	40	9.0	39	84	20.0	30
051304	1/2"	15	15	48	11.0	43	84	25.0	30
051305	3/4"	20	20	56	12.5	52	110	31.0	30
051306	1"	25	25	67	14.5	57	110	38.0	30
051307	1 1/4"	32	32	80	16.0	72	140	48.0	25
051308	1 1/2"	40	40	92	18.0	79	140	54.0	25
051309	2"	50	50	107	20.0	88	170	67.0	25

MATERIALS

NO	NAME	MATERIAL
1	Body	Hot pressed brass CW617N
2	Ball seal	P.T.F.E.
3	Ball	Hot pressed brass CW617N
4	Coupling	Hot pressed brass CW617N
5	Stem seal	O-ring NBR 70
6	Stem	Brass CW614N
7	Nut	Steel
8	Handle	Varnished steel

NP REDUCED BALL VALVES F.F FROM 1/2" TO 4" (15 - 100mm)

art. 50



MATERIALS

Code	M inch	M mm	DN	A	B	C	D	CH	PN Bar
-	3/8"	8	10	43	11	39	84	25	30
051310	1/2"	10	12	46	11	43	84	25	30
051311	3/4"	15	15	49	11	43	84	31	30
051312	1"	20	20	60	14.4	52	110	38	30
051313	1 1/4"	25	25	68	15	57	110	48	25
051314	1 1/2"	32	32	80	17	72	140	54	25
051315	2"	40	40	94	19	79	140	67	25
051316	2 1/2"	50	50	115	23	88	170	84	12
051317	3"	65	63	134	24	125	240	97	12
051318	4"	80	76	152	25	135	240	122	12

NO	NAME	MATERIAL
1	Coupling	Brass CW617N
2	Ball seal	P.T.F.E.
3	Ball	Not pressed brass CW617N
4	Body	Hot pressed brass CE617N
5	Stem seal	O-ring NBR 70
6	Stem	Brass CW617N
7	Nut	Zinc plated steel
8	Handle	Varnished steel

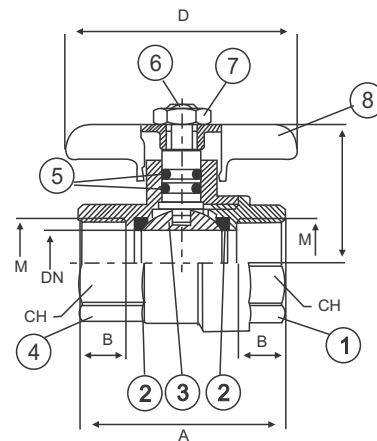
NP - Nickel Plated

* Temperature Range - 10°C to 120°C

Freezing within the system will cause serious damage to valves and/or pipe

NP FULL BORE BALL VALVE WING NUT OPERATED F.F

art. 42



Code	M inch	M mm	DN	A	B	C	D	CH	PN Bar
-	1/4"	8	10	40	9.0	39	52	17.0	30
-	3/8"	10	10	40	9.0	39	52	20.0	30
112401	1/2"	15	15	48	11.0	39	52	25.0	30
112402	3/4"	20	20	56	12.5	41	65	31.0	30
-	1"	25	25	67	14.5	43	65	38.0	30

NP = Nickel Plated

* Temperature Range - 10°C to 120°C

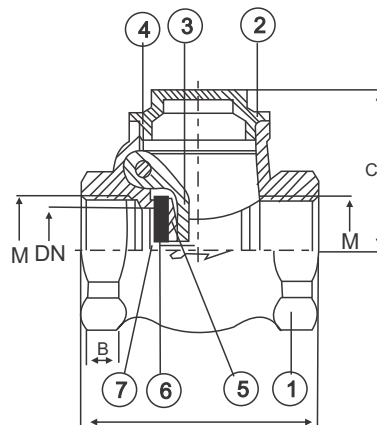
Freezing within the system will cause serious damage to valves and/or pipe

MATERIALS

NO	NAME	MATERIAL
1	Body	Hot pressed brass CW617N
2	Ball seal	P.T.F.E.
3	Ball	Hot pressed brass CW617N
4	Coupling	Hot pressed brass CW617N
5	Stem seal	O-ring NBR 70
6	Stem seal	Brass CW614n
7	Nut	Steel
8	Handle	Varnished steel

SWING CHECK VALVE FROM 1/2" TO 4" (15 - 100mm)

art. 16



MATERIALS

NO	NAME	MATERIAL
1	Body	Hot pressed brass CW617N
2	Cap	Hot pressed brass CW617N
3	Wing	Hot pressed brass CW617N
4	Stem	Brass CW614N
5	Seal holder	Hot pressed brass CW617N
6	Rubber seat	NBR70
7	Screw	Brass CW614N

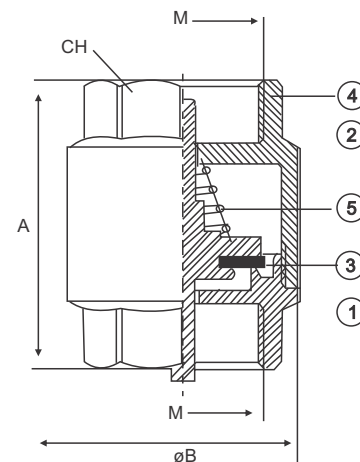
Code	M inch	M mm	DN	A	B	C	PN Bar
051273	1/2"	15	15	47	8	46	12
051274	3/4"	20	20	53	8	51	12
051275	1"	25	25	63	10	61	12
051276	1 1/4"	32	33	70	10	73	12
051277	1 1/2"	40	37	88	10	93	12
051278	2"	50	47	97	11	102	12
051279	2 1/2"	65	55	120	16	110	8
051280	3"	80	70	135	16	128	8
051281	4"	100	90	164	13	162	8

* Temperature Range - 10°C to 60°C

Freezing within the system will cause serious damage to valves and/or pipe

CHECK VALVE FROM 1/2" TO 4" (15 - 100mm)

art. 13



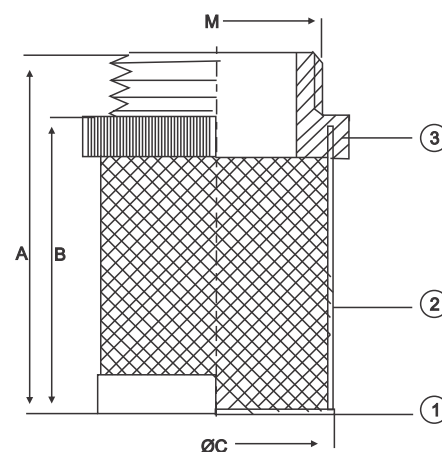
Code	M inch	M mm	A	c.	PN Bar
051264	1/2"	15	52.7	30.0	12
051265	3/4"	20	54.7	38.0	12
051266	1"	25	59.0	46.0	12
051267	1 1/4"	32	62.6	56.5	10
051268	1 1/2"	40	71.0	67.5	10
051269	2"	50	77.7	77.0	10
051270	2 1/2"	65	96.3	102.0	8
051271	3"	80	101.6	125.0	8
051272	4"	100	119.5	155.5	8

MATERIALS

NO	NAME	MATERIAL
1	Coupling	Hot pressed brass CW617N
2	Stem seat	Nylon-plast 6.6
3	Rubber stem	NBR 70
4	Body	Hot pressed brass CW617N
5	Spring	S.S INOX AISI 302

STAINLESS-STEEL FILTER FROM 1/2" TO 4" (15-100mm)

art. 12



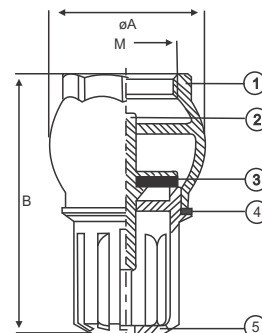
MATERIALS

NO	NAME	MATERIAL
1	Cap	AISI 304
2	Filter	AISI 304
3	Stem seat	Nylon-plast 6.6

Code	M inch	M mm	A	B	C
051282	1/2"	15	50	42	23
113239	3/4"	20	57	47	29
051283	1"	25	60	50	37
051284	1 1/4"	32	68	58	44
051285	1 1/2"	40	78	68	50
051286	2"	50	89	77	61
051287	2 1/2"	65	96	83	80
051288	3"	80	110	96	93
051289	4"	100	128	114	116

FOOT VALVE FROM 1/2" TO 4" (15 - 100mm)

art. 18



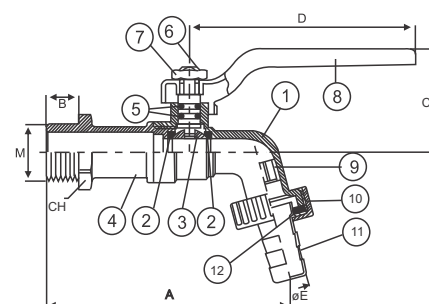
Code	M inch	M mm	c	È	PN Bar
-	1/2"	15	39	60	10
-	3/4"	20	45	75	10
-	1"	25	52	80	10
-	1 1/4"	32	60	93	8
-	1 1/2"	40	68	103	8
-	2"	50	82	118	8
051332	2 1/2"	65	96	130	6
051333	3"	80	115	151	6
051334	4"	100	138	180	6

MATERIALS

NO	NAME	MATERIAL
1	Body	Brass CW617N
2	Spear valve	Brass CW617N
3	Seat	NBR70
4	Ball seal	Fibre
5	Filter	Brass617N

NP HOSE BALL BIBCOCK FROM 3/8" TO 1" (10 - 25mm)

art. 82



Code	M inch	M mm	DN	A	B	C	D	ØE	CH	PN Bar
-	3/8"	10	10	80	12	39	84	15	21	15
051326	1/2"	15	10	80	12	39	84	15	25	15
051327	3/4"	20	12	93	13	41	84	20	31	15
051328	1"	25	15	108	13	43	84	28	37	15

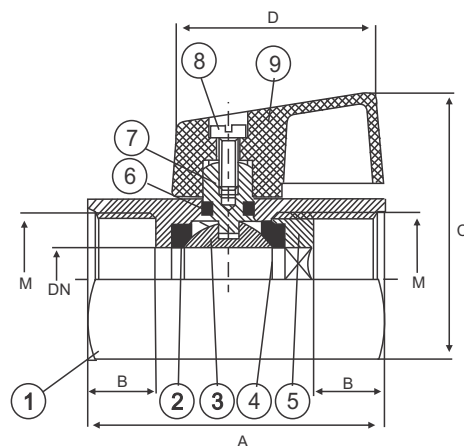
MATERIALS

NO	NAME	MATERIAL
1	Body	Hot pressed brass CW617N
2	Ball seal	P.T.F.E.
3	Ball	Hot pressed brass CW617N
4	Coupling	Hot pressed brass CW617N
5	Stem seal	NBR 70
6	Stem	Brass CW614N
7	Nut	ZINC plated steel
8	Handle	Varnished steel
9	Jet bracker	Nylon
10	Nut	Hot pressed brass CW617N
11	Hose union	Brass
12	Union seat	NBR 70

NP = Nickel Plated

MINI BALL VALVE F.F. FROM 1/4" TO 3/4" (8 - 20mm)

art. 70



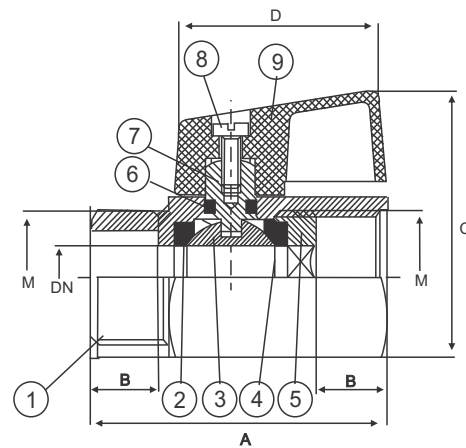
Code	M inch	M mm	DN	A	B	C	D	PN Bar
051322	1/4"	8	8	39	10	38	30	15
051323	3/8"	10	8	42	9	38	30	15
051324	1/2"	15	10	48	12	42	30	15
113237	3/4"	20	12	54	14	48	30	15

MATERIALS

NO	NAME	MATERIAL
1	Body	Hot pressed brass CW617N
2	Ball seal	P.T.F.E.
3	Ball	Hot pressed brass CW617N
4	Ball seal	P.T.F.E.
5	Coupling	Brass CW614N
6	Stem sea	NBR 70
7	Stem sea	Brass CW614N
8	Screw	ZINC plated steel
9	Handle	ABS Plastic

MINI BALL VALVE M.F. FROM 1/4" TO 3/4" (8 - 20mm)

art. 71



Code	M inch	M mm	DN	A	B	C	D	PN Bar
112398	1/4"	8	8	39	21	38	30	9
051325	3/8"	10	8	42	21	38	30	10
112399	1/2"	15	10	48	25	42	30	12
-	3/4"	20	12	54	30	48	30	14

MATERIALS

NO	NAME	MATERIAL
1	Body	Hot pressed brass CW617N
2	Ball seal	P.T.F.E.
3	Ball	Hot pressed brass CW617N
4	Ball seal	P.T.F.E.
5	Coupling	Brass CW614N
6	Stem sea	NBR 70
7	Stem	Brass CW614N
8	Screw	ZINC plated steel
9	Handle	ABS Plastic

art. 69

Code	M inch	M mm	DN	A	B	C	D	PN Bar
051319	1/2"	15	10	48	25	42	-	12
051320	3/4"	20	12	54	30	48	-	14



DISCLAIMER

Whilst every care was taken in compiling this data, information and related material contained herein are subject to change without notification. All detail that this document contains are provided in good faith and therefore no representation or warranty whatsoever regarding the completeness, accuracy, "up to date", or adequacy of, suitability, functionality, omission, or operation is specifically disclaimed of any liability for direct, indirect or consequential loss or damage, however so arising, from the use or reliance on information herein thereafter provided.

INCLEDON

BLOEMFONTEIN	Tel: 051 408 9200	BURGERSFORT	Tel: 013 231 7224	GERMISTON	Tel: 011 323 0800	KATHU	Tel: 053 723 2213
KLERKSDORP	Tel: 018 462 0009	LEPHALALE	Tel: 014 763 5824	NELSPRUIT	Tel: 013 752 3121	POLOKWANE	Tel: 015 292 8660
RUSTENBURG	Tel: 014 591 7700	SECUNDA	Tel: 017 631 4200	UPINGTON	Tel: 054 332 1089	WELKOM	Tel: 057 396 1131
DURBAN	Tel: 031 716 2200	EAST LONDON	Tel: 043 736 6022	PORT ELIZABETH	Tel: 041 409 8000		

DPI TRADING (Western Cape)

CAPE TOWN	Tel: 021 957 5600	GEORGE	Tel: 044 874 2327
-----------	-------------------	--------	-------------------

