

**Brass**

**General Purpose**

**Valves**



**Value**

**Performance**

**Quality**



**BRASS VALVES**



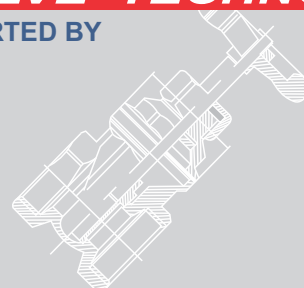
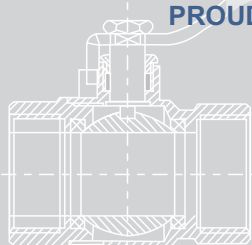
**CONFIDENCE IN VALVE TECHNOLOGY**

PROUDLY IMPORTED BY

**DPI Trading**

*The most trusted name in quality products & brands*

[www.dpitrading.co.za](http://www.dpitrading.co.za)



**Inclendon**

*The most trusted name in quality products & brands*

[www.inclendon.co.za](http://www.inclendon.co.za)

Brass Full Bore Ball Valve F x F (Female Threaded Ends)



**SPECIFICATION**

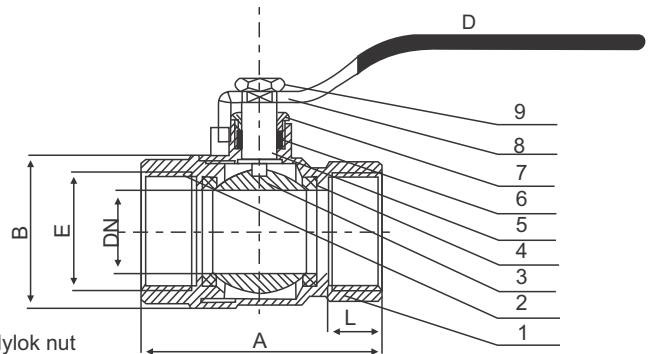
Hot pressed 2 piece brass body - nickel plated  
 Brass ball - hard chrome plated  
 Finished to provide a perfect seal with PTFE seats

**APPLICATION**

Bi-directional non shock services  
 Hot & cold water, fuel oils, hydraulic oils, gas oils, some acids, and compressed air.  
 Full bore = high flow rates = low pressure drop

**FEATURES**

\* Anti-Blow out stem \* Brass Ball & Stem \* Stainless Steel Nylok nut



**DIMENSIONS**

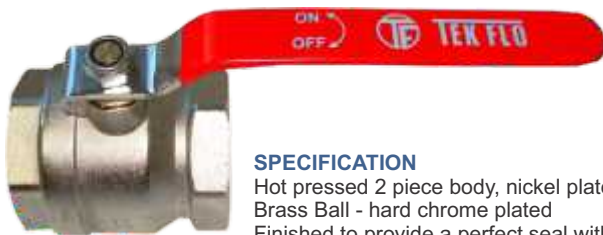
| Code   | Size          | A     | B     | C     | D   | L    | DN   | TEMP Max | PN BAR |
|--------|---------------|-------|-------|-------|-----|------|------|----------|--------|
| 112450 | 8mm (1/4")    | 41.0  | 21.0  | 45.0  | 85  | 9.0  | 9.0  | 90°C     | 25     |
| 112451 | 10mm (3/8")   | 43.0  | 23.5  | 46.0  | 85  | 12.0 | 10.0 | 90°C     | 25     |
| 112452 | 15mm (1/2")   | 49.0  | 28.5  | 48.0  | 100 | 12.0 | 14.0 | 90°C     | 25     |
| 112453 | 20mm (3/4")   | 54.5  | 35.5  | 51.0  | 100 | 13.0 | 19.0 | 90°C     | 25     |
| 112454 | 25mm (1")     | 66.5  | 43.0  | 57.0  | 112 | 15.5 | 23.0 | 90°C     | 25     |
| 112455 | 32mm (1 1/4") | 72.5  | 52.5  | 70.0  | 140 | 14.0 | 30.0 | 90°C     | 25     |
| 112456 | 40mm (1 1/2") | 85.5  | 62.5  | 75.0  | 140 | 16.0 | 36.0 | 90°C     | 25     |
| 112457 | 50mm (2")     | 94.5  | 74.5  | 85.0  | 165 | 16.0 | 44.0 | 90°C     | 25     |
| 112458 | 65mm (2 1/2") | 116.0 | 97.0  | 103.0 | 235 | 19.0 | 57.0 | 90°C     | 16     |
| 112459 | 80mm (3")     | 139.0 | 114.0 | 123.0 | 240 | 21.0 | 69.0 | 90°C     | 16     |
| 112460 | 100mm (4")    | 165.0 | 138.5 | 135.0 | 240 | 27.0 | 85.0 | 90°C     | 16     |

**MATERIAL**

| NO. | NAME   | MATERIAL   |
|-----|--------|------------|
| 1   | Body   | Brass      |
| 2   | Screw  | Brass      |
| 3   | Ball   | Brass      |
| 4   | O-ring | PTFE       |
| 5   | Stem   | Brass      |
| 6   | Gasket | PTFE       |
| 7   | Nuts   | Brass      |
| 8   | Handle | Mild steel |
| 9   | Nuts   | S/S Nylok  |

N.B. This valve should be insulated if exposed to outside temperature of 0°C and below. Freezing in the system may cause damage and/or failure of valves and pipes

Brass Reduced Bore Ball Valve F x F (Female Threaded Ends)



**SPECIFICATION**

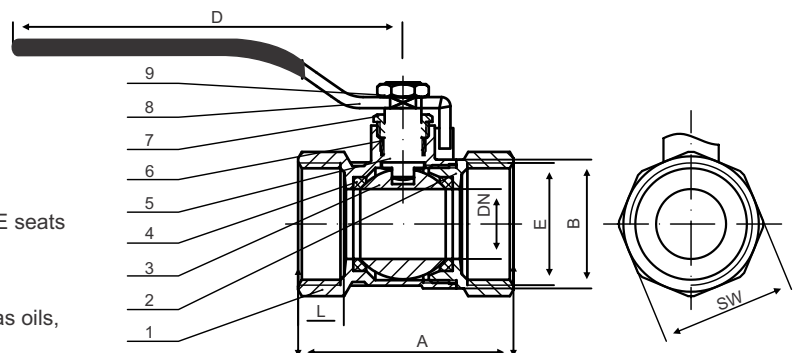
Hot pressed 2 piece body, nickel plated  
 Brass Ball - hard chrome plated  
 Finished to provide a perfect seal with PTFE seats

**APPLICATION**

Bi-directional non shock services  
 Hot & Cold water, fuel oils, hydraulic oils, gas oils, some acids and compressed air.

**FEATURES**

Anti-blow out stem \* brass ball & stem \* Stainless steel Nylok nut



**DIMENSIONS**

| Code   | Size          | A  | B    | C    | D     | L    | SW   | TEMP Max | PN BAR |
|--------|---------------|----|------|------|-------|------|------|----------|--------|
| 112616 | 15mm (1/2")   | 47 | 22.5 | 46.0 | 100.0 | 12.0 | 24.5 | 90°C     | 25     |
| 112617 | 20mm (3/4")   | 52 | 30.5 | 50.0 | 100.0 | 12.5 | 30.5 | 90°C     | 25     |
| 112618 | 25mm (1")     | 59 | 35.0 | 55.0 | 112.0 | 13.5 | 37.0 | 90°C     | 25     |
| 112619 | 32mm (1 1/4") | 68 | 45.0 | 68.0 | 140.0 | 14.5 | 46.5 | 90°C     | 25     |
| 112620 | 40mm (1 1/2") | 80 | 56.0 | 76.0 | 140.0 | 16.0 | 53.0 | 90°C     | 25     |
| 112621 | 50mm (2")     | 92 | 69.5 | 90.0 | 170.0 | 18.0 | 65.5 | 90°C     | 25     |

**MATERIALS**

| NO. | NAME   | MATERIAL   |
|-----|--------|------------|
| 1   | Body   | Brass      |
| 2   | Screw  | Brass      |
| 3   | Ball   | Brass      |
| 4   | O-ring | PTFE       |
| 5   | Stem   | Brass      |
| 6   | Gasket | PTFE       |
| 7   | NutS   | Brass      |
| 8   | Handle | Mild steel |
| 9   | Nuts   | S/S Nylok  |

S/S = Stainless Steel

N.B. This valve should be insulated if exposed to outside temperature of 0°C and below

\*All measurements are in mm

## Brass Full Bore Ball Valve M x F (Male / Female Threaded Ends)


**SPECIFICATION**

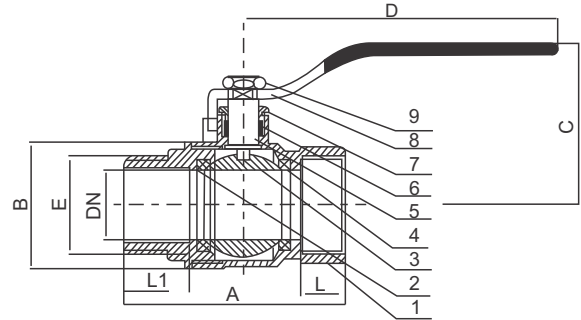
Hot pressed 2 piece brass body - nickel plated  
 Brass ball - hard chrome plated  
 Finished to provide a perfect seal with PTFE seats

**APPLICATION**

Bi-directional non shock services  
 Hot & cold water, fuel oils, hydraulic oils, gas oils,  
 some acids, and compressed air.  
 Full bore = high flow rates = low pressure drop

**FEATURES**

\* Anti-Blow out stem \* Brass Ball & Stem \*  
 Stainless Steel Nylok nut


**MATERIALS**

| NO. | NAME   | MATERIAL   |
|-----|--------|------------|
| 1   | Body   | Brass      |
| 2   | Bonnet | Brass      |
| 3   | Ball   | Brass      |
| 4   | O-ring | PTFE       |
| 5   | Stem   | Brass      |
| 6   | Gasket | PTFE       |
| 7   | Nuts   | Brass      |
| 8   | Handle | Mild steel |
| 9   | Nuts   | S/S Nylok  |

**DIMENSIONS**

| Code   | Size       | A    | B    | C    | D   | L    | DN   | W/g  | PN BAR |
|--------|------------|------|------|------|-----|------|------|------|--------|
| 112461 | 15mm (½")  | 56.0 | 28.5 | 48.0 | 100 | 12.0 | 12.5 | 175  | 25     |
| 112465 | 20mm (¾")  | 54.5 | 35.5 | 51.0 | 100 | 13.0 | 19.0 | 248  | 25     |
| 112472 | 25mm (1")  | 66.5 | 43.0 | 57.0 | 112 | 15.5 | 23.0 | 385  | 25     |
| 112473 | 32mm (1¼") | 72.5 | 52.5 | 70.0 | 140 | 14.0 | 30.0 | 560  | 25     |
| 112474 | 40mm (1½") | 85.5 | 62.5 | 75.0 | 140 | 16.0 | 36.0 | 820  | 25     |
| 112478 | 50mm (2")  | 94.5 | 74.5 | 85.0 | 165 | 16.0 | 44.0 | 1250 | 25     |

N.B. This valve should be insulated if exposed to outside temperature of 0°C and below.  
 Freezing in the system may cause damage and/or failure of valves and pipes

## Brass Gate Valve F x F (Female Threaded Ends)


**SPECIFICATION**

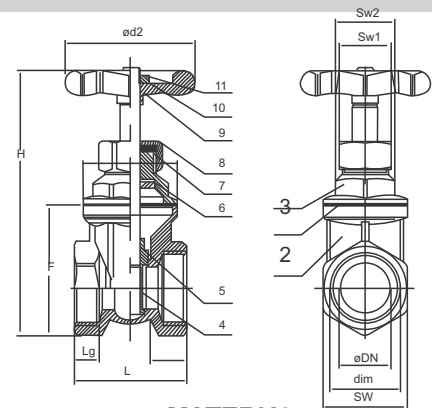
Hot forged brass body - full bore - tight seal - cast handle  
 Threaded ends - BSP to ISO R7

**APPLICATION**

Domestic installations, municipal, industrial and water  
 reticulation for operating pressures up to 16 Bar.

**FEATURES**

Stainless Steel Nylok nut \* Cast Steel Handle \* Full Flow  
 Pattern \* 16 BAR Rated Operating Pressure \* Cast  
 Handle for long life and strength


**MATERIAL**

| NO. | NAME   | MATERIAL    |
|-----|--------|-------------|
| 1   | Body   | Brass       |
| 2   | O-ring | PTFE        |
| 3   | Bonnet | Brass       |
| 4   | Disc   | Brass       |
| 5   | Stem   | Brass       |
| 6   | Nuts   | Brass       |
| 7   | Gasket | PTFE        |
| 8   | Nuts   | Brass       |
| 9   | Handle | Cast Iron   |
| 10  | Gasket | A1 Material |
| 11  | Nuts   | S/S nylok   |

**DIMENSIONS**

| Code   | Size       | DN   | Ød2   | L    | h    | lg   | f     | SW    | SW1 | SW2 | PN BAR |
|--------|------------|------|-------|------|------|------|-------|-------|-----|-----|--------|
| 051457 | 8mm (¼")   | 12.0 | 53.0  | 37   | 73.0 | 9.0  | 33.5  | 20.5  | 16  | 17  | 16     |
| 051458 | 10mm (⅜")  | 12.5 | 53.0  | 37.0 | 73.0 | 9.0  | 33.5  | 20.5  | 16  | 17  | 16     |
| 051459 | 15mm (½")  | 14.0 | 53.0  | 41.0 | 92.0 | 11.0 | 42.0  | 25.5  | 17  | 21  | 16     |
| 051460 | 20mm (¾")  | 19.0 | 54.0  | 46.0 | 100  | 12.0 | 52.0  | 31.0  | 17  | 23  | 16     |
| 051461 | 25mm (1")  | 24.0 | 59.0  | 50.0 | 118  | 14.0 | 61.0  | 37.0  | 19  | 27  | 16     |
| 051462 | 32mm (1¼") | 30.0 | 57.0  | 57.0 | 135  | 13.0 | 75.0  | 47.5  | 19  | 34  | 16     |
| 051463 | 40mm (1½") | 35.0 | 71.0  | 60.0 | 150  | 13.5 | 84.0  | 54.0  | 20  | 34  | 16     |
| 051464 | 50mm (2")  | 43.0 | 78.0  | 68.0 | 170  | 14.0 | 97.0  | 65.5  | 21  | 42  | 16     |
| 051465 | 65mm (2½") | 56.0 | 109.0 | 79.0 | 218  | 16.0 | 126.0 | 83.5  | 24  | 56  | 12     |
| 051466 | 80mm (3")  | 67.0 | 110.0 | 85.0 | 240  | 20.0 | 156.0 | 96.5  | 27  | 65  | 10     |
| 051467 | 100mm (4") | 86.0 | 126.0 | 99.0 | 305  | 24.0 | 190.0 | 122.0 | 27  | 84  | 10     |

S/S = Stainless Steel

\*All measurements are in mm

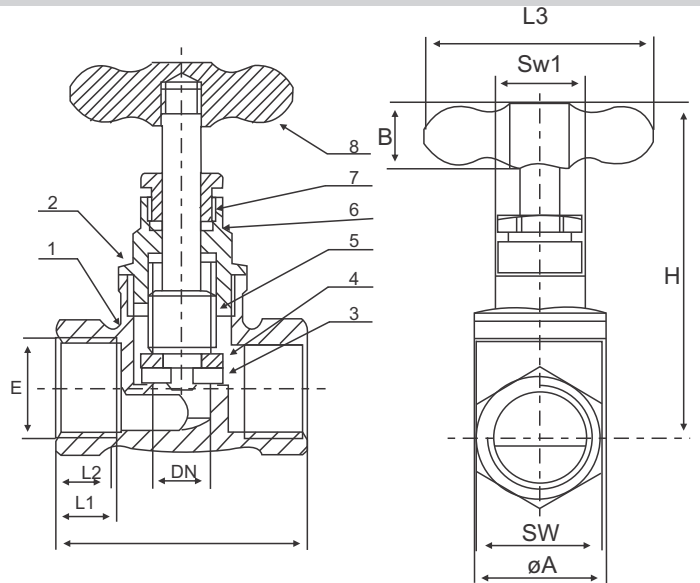
Brass Stop Tap F x F (Female Threaded Ends)



**SPECIFICATION**  
Hot forged brass body

**APPLICATION**  
Hot and cold water 60°C.

**FEATAURES**  
Replaceable seat \* 16 Bar operating pressure rated



**DIMENSIONS**

| Code   | Size      | DN | 0A   | B    | H    | L    | L1   | L2   | L3   | SW   | SW1  |
|--------|-----------|----|------|------|------|------|------|------|------|------|------|
| 112653 | 15mm (½") | 12 | 26.0 | 12.0 | 67.5 | 52.0 | 12.5 | 11.0 | 50.0 | 25.0 | 16.5 |
| 112654 | 20mm (¾") | 18 | 29.5 | 12.0 | 72.5 | 60.0 | 13.5 | 12.5 | 50.0 | 30.5 | 19.0 |

**MATERIALS**

| NO. | NAME      | MATERIAL |
|-----|-----------|----------|
| 1   | Body      | Brass    |
| 2   | Bonnet    | Brass    |
| 3   | Seat      | NBR      |
| 4   | Gasket    | Brass    |
| 5   | Stem      | Brass    |
| 6   | Gasket    | PTFE     |
| 7   | PressNuts | Brass    |
| 8   | Handle    | Brass    |

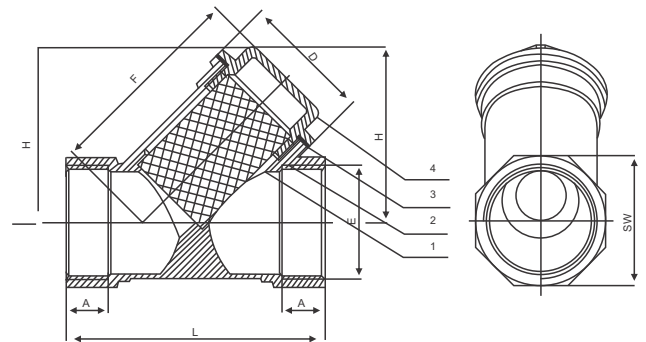
Brass 'Y' Type Strainer F x F (Female Threaded Ends)



**SPECIFICATION**  
Hot forged brass body - stainless steel 304 removeable screen

**APPLICATION**  
Protection of pumps, valves, steam traps and keeps scale, dirt, jointing compounds or any foreign matter from damaging line equipment

**FEATURES**  
Stainless Steel 304 Screen filter \* 16 BAR Operating Pressure Rated



**DIMENSIONS**

| Code   | Size       | L     | H    | D    | F    | A    | DN | Screen Size | SW   | TEMP Max |
|--------|------------|-------|------|------|------|------|----|-------------|------|----------|
| 112566 | 15mm (½")  | 53.5  | 38.5 | 28.0 | 44.5 | 10.5 | 15 | 200mic      | 25.0 | 90°      |
| 112567 | 20mm (¾")  | 64.5  | 48.0 | 36.5 | 55.5 | 11.5 | 18 | 200mic      | 30.5 | 90°      |
| 112568 | 25mm (1")  | 73.0  | 48.5 | 36.5 | 56.0 | 14.0 | 22 | 200mic      | 37.0 | 90°      |
| 112570 | 32mm (1¼") | 90.0  | 57.5 | 46.5 | 66.5 | 16.0 | 28 | 200mic      | 46.5 | 90°      |
| 112571 | 40mm (1½") | 105.5 | 77.0 | 58.0 | 85.5 | 15.5 | 38 | 200mic      | 55.0 | 90°      |
| 112572 | 50mm (2")  | 120.5 | 85.0 | 65.0 | 98.0 | 17.5 | 44 | 200mic      | 67.5 | 90°      |

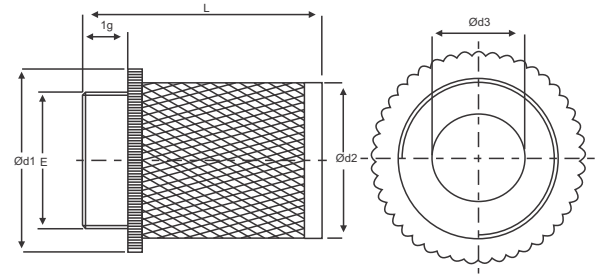
**MATERIALS**

| NO. | NAME   | MATERIAL |
|-----|--------|----------|
| 1   | Body   | Brass    |
| 2   | Filter | S/S      |
| 3   | Gasket | PTFE     |
| 4   | Bonnet | Brass    |

S/S = Stainless Steel

\*All measurements are in mm

## Stainless Steel Filter (Threaded)


**SPECIFICATION**

Stainless steel screen - nylon moulded bonnet - threaded

**APPLICATION**

Foot valve. Can also be used on air valve to prevent insects and birds from damaging outlet

**FEATURES**

For use with Brass Spring Loaded Check Valve to create a Footvalve

**DIMENSIONS**

| Code   | SIZE       | Ød1 | Ød2   | Ød3  | 1g | 1     |
|--------|------------|-----|-------|------|----|-------|
| 112534 | 15mm (½")  | 27  | 24.0  | 15.0 | 8  | 20.5  |
| 112538 | 20mm (¾")  | 35  | 30.6  | 19.0 | 8  | 40.0  |
| 112539 | 25mm (1")  | 41  | 37.0  | 24.0 | 10 | 52.0  |
| 112543 | 32mm (1¼") | 49  | 44.0  | 34.5 | 10 | 57.5  |
| 112544 | 40mm (1½") | 58  | 53.0  | 40.0 | 11 | 65.0  |
| 112546 | 50mm (2")  | 69  | 63.0  | 49.0 | 12 | 79.0  |
| 112547 | 65mm (2½") | 85  | 78.0  | 63.0 | 13 | 93.0  |
| 112548 | 80mm (3")  | 96  | 87.0  | 78.0 | 13 | 108.0 |
| 112549 | 100mm (4") | 122 | 112.0 | 98.0 | 14 | 115.0 |

**MATERIAL**

| NO. | NAME   | MATERIAL    |
|-----|--------|-------------|
| 1   | Bonnet | ABS Plastic |
| 2   | Filter | S/S         |

## Brass Spring Loaded Check Valve F x F (Female Threaded Ends)

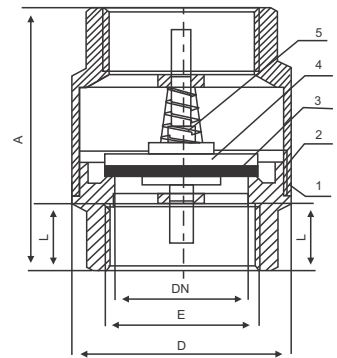

**SPECIFICATION**

Hot forged brass body - ABS insert

**APPLICATION**

Domestic installations, Municipal, Industrial and water reticulation. Prevents back flow and maintain pump pressure. Can be used as foot valve by adding stainless steel filter.

**FEATURES**

 \* Spring loaded for assisted closure and low pressure heads \*  
NBR seat

**DIMENSIONS**

| Code   | E          | A    | D    | L    | L1   | SW   | DN    | TEMP Max | PN BAR |
|--------|------------|------|------|------|------|------|-------|----------|--------|
| 112508 | 15mm (½")  | 45.5 | 33.2 | 10.0 | 10.0 | 25.5 | 18.0  | 60°      | 16     |
| 112509 | 20mm (¾")  | 48.0 | 41.7 | 12.0 | 11.5 | 32.0 | 23.0  | 60°      | 16     |
| 112516 | 25mm (1")  | 53.0 | 46.7 | 13.0 | 12.5 | 38.0 | 29.0  | 60°      | 16     |
| 112517 | 32mm (1¼") | 59.0 | 58.7 | 14.5 | 14.0 | 46.0 | 36.0  | 60°      | 16     |
| 112519 | 40mm (1½") | 68.5 | 67.5 | 17.0 | 16.0 | 53.0 | 43.0  | 60°      | 16     |
| 112524 | 50mm (2")  | 78.0 | 80.0 | 17.0 | 17.0 | 65.0 | 53.0  | 60°      | 16     |
| 112528 | 65mm (2½") | 102  | 96.5 | 25.0 | 21.5 | 80.5 | 68.0  | 60°      | 12     |
| 112529 | 80mm (3")  | 105  | 110  | 25.0 | 22.0 | 96.5 | 75.0  | 60°      | 10     |
| 112533 | 100mm (4") | 123  | 143  | 26.0 | 24.0 | 121  | 103.0 | 60°      | 10     |

**MATERIALS**

| NO. | NAME   | MATERIAL    |
|-----|--------|-------------|
| 1   | Body   | Brass       |
| 2   | Bonnet | Brass       |
| 3   | O Ring | NBR         |
| 4   | Insert | ABS Plastic |
| 5   | Spring | S/S         |

S/S = Stainless Steel

\*All measurements are in mm

Brass Swing Type Check Valve with Metal Seat F x F (Female Threaded Ends)



**SPECIFICATION**

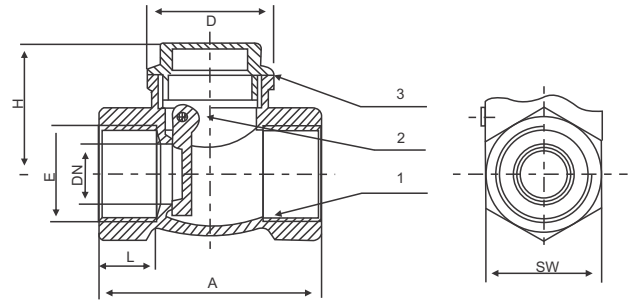
Hot forged brass body - brass flap - brass bonnet

**APPLICATION**

Domestic installations, Municipal, Industrial, Irrigation and Water reticulation

**FEATURES**

- \* Metal to metal seat \* Prevents back flow \* Maintain pipes with water head
- \* PN 16 Bar rated operating pressure



**DIMENSIONS**

| Code   | Size          | A     | H     | D     | L    | SW    | DN   | TEMP Max | PN BAR |
|--------|---------------|-------|-------|-------|------|-------|------|----------|--------|
| 112489 | 15mm (1/2")   | 47.0  | 30.5  | 27.0  | 12.5 | 24.5  | 12.5 | 90°      | 16     |
| 112493 | 20mm (3/4")   | 55.5  | 36.0  | 31.0  | 13.0 | 31.0  | 17.5 | 90°      | 16     |
| 112494 | 25mm (1")     | 62.0  | 45.0  | 40.0  | 14.0 | 38.0  | 22.0 | 90°      | 16     |
| 112498 | 32mm (1 1/4") | 72.5  | 49.0  | 47.0  | 14.5 | 47.0  | 27.0 | 90°      | 16     |
| 112499 | 40mm (1 1/2") | 80.5  | 52.0  | 52.0  | 14.0 | 53.5  | 30.0 | 90°      | 16     |
| 112504 | 50mm (2")     | 93.5  | 60.5  | 63.5  | 15.0 | 66.0  | 42.0 | 90°      | 16     |
| 112505 | 65mm (2 1/2") | 101.5 | 70.5  | 74.0  | 16.5 | 83.5  | 53.5 | 90°      | 16     |
| 112506 | 80mm (3")     | 126.0 | 80.0  | 88.0  | 19.0 | 96.0  | 62.0 | 90°      | 10     |
| 112507 | 100mm (4")    | 160.0 | 103.0 | 118.0 | 25.0 | 123.0 | 89.0 | 90°      | 10     |

**MATERIAL**

| NO. | NAME   | MATERIAL |
|-----|--------|----------|
| 1   | Body   | Brass    |
| 2   | Flap   | Brass    |
| 3   | Bonnet | Brass    |

Brass Clack Type Foot Valve, threaded end



**SPECIFICATION**

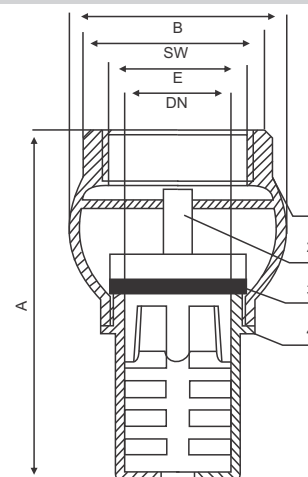
Hot forged brass body - brass insert - NBR liner

**APPLICATION**

Borehole, Irrigation and agricultural applications. Prevents debris from entering pipeline and damaging pump

**DIMENSIONS**

| Code   | E             | A     | L  | SW    | DN   | TEMP Max |
|--------|---------------|-------|----|-------|------|----------|
| 112553 | 25mm (1")     | 76.5  | 13 | 38.0  | 25.0 | 60°      |
| 112554 | 32mm (1 1/4") | 85.0  | 15 | 47.0  | 28.5 | 60°      |
| 112556 | 40mm (1 1/2") | 93.0  | 16 | 53.5  | 35.0 | 60°      |
| 112558 | 50mm (2")     | 107.0 | 18 | 65.5  | 40.5 | 60°      |
| 112559 | 65mm (2 1/2") | 135.0 | 22 | 83.5  | 49.0 | 60°      |
| 112562 | 80mm (3")     | 145.0 | 25 | 96.0  | 58.0 | 60°      |
| 112563 | 100mm (4")    | 158.0 | 28 | 122.5 | 68.0 | 60°      |



**MATERIALS**

| NO. | NAME     | MATERIAL |
|-----|----------|----------|
| 1   | Body     | Brass    |
| 2   | Strainer | Brass    |
| 3   | Clack    | Brass    |
| 4   | Seat     | NBR      |

S/S = Stainless Steel

\* All measurements are in mm

Brass Bib Tap - Threaded End



**SPECIFICATION**

Hot forged brass body complete with brass union

**APPLICATION**

Domestic, Municipal and rural water points

**FEATURES**

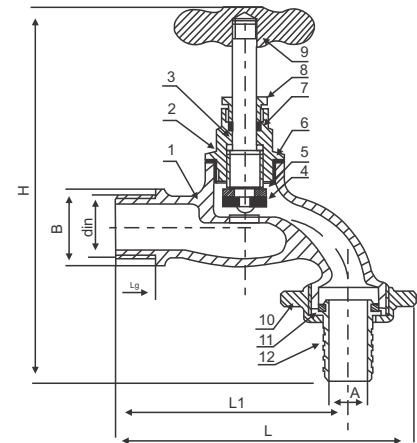
\* Brass Hose Union \* Smooth flow design \* Designed for higher pressures (16 Bar) \* Heavier pattern for longer lasting and mechanical strength

**DIMENSIONS**

| Code     | SIZE        | CONN | A  | B    | H     | L   | L1   | Lg   |
|----------|-------------|------|----|------|-------|-----|------|------|
| **113201 | 15mm (1/2") | 1/2" | 11 | 24.5 | 53    |     | 69   | 13.5 |
| 113199   | 15mm (3/4") | 3/4" | 13 | 25.0 | 125.0 | 102 | 78.0 | 13.5 |
| 113200   | 20mm (3/4") | 3/4" | 15 | 32.0 | 137.0 | 117 | 95.0 | 14.0 |

\*\* No hose connection

CONN = Hose connection end thread size



**MATERIAL**

| NO. | NAME        | MATERIAL |
|-----|-------------|----------|
| 1   | Body        | Brass    |
| 2   | Bonnet      | Brass    |
| 3   | Stem        | Brass    |
| 4   | Seat        | NBR      |
| 5   | Clack       | Brass    |
| 6   | O Ring      | PTFE     |
| 7   | O Ring      | PTFE     |
| 8   | Hexagon nut | Brass    |
| 9   | Handle      | Brass    |
| 10  | Color cap   | Brass    |
| 11  | O- Ring     | Brass    |
| 12  | Hose Union  | Brass    |

Brass Ball Bib Tap, Lever Operated - Threaded End



**SPECIFICATION**

Hot forged brass body - hard chrome plated ball - nickel plated body

**APPLICATION**

Domestic, Rural Water points, Industrial use

**FEATURES**

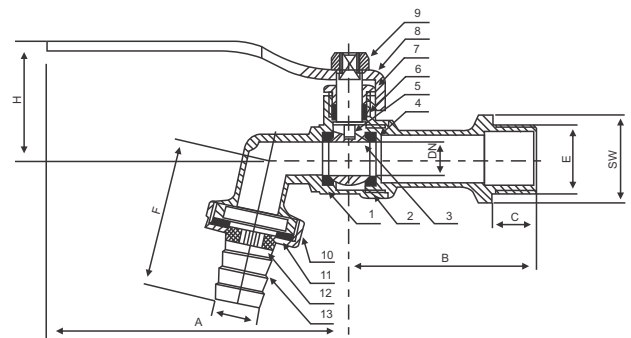
\* On-off, leaktight \* not a high-theft product \* 16 Bar operating pressure rated

**DIMENSIONS**

| Code   | SIZE        | A  | B    | C    | D  | F    | H    | SW   | DN   |
|--------|-------------|----|------|------|----|------|------|------|------|
| 112581 | 15mm (1/2") | 90 | 55.0 | 11.5 | 12 | 44.0 | 42.5 | 22.5 | 10.0 |
| 112582 | 20mm (3/4") | 90 | 55.5 | 12.0 | 12 | 44.0 | 42.5 | 26.5 | 10.0 |

S/S = Stainless Steel

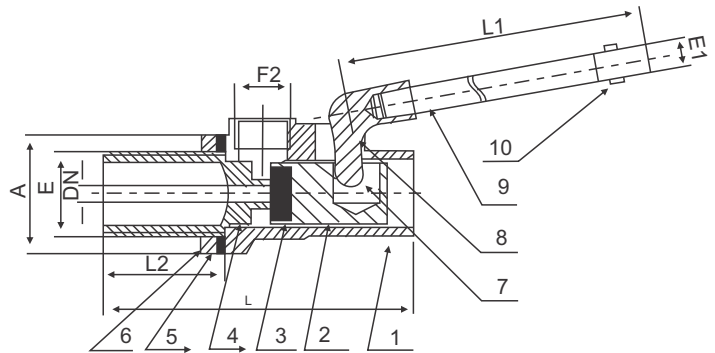
\* All measurements are in mm



**MATERIAL**

| NO. | NAME               | MATERIAL   |
|-----|--------------------|------------|
| 1   | Body               | Brass      |
| 2   | Bonnet             | Brass      |
| 3   | Ball               | Brass      |
| 4   | Gasket             | PTFE       |
| 5   | Stem               | Brass      |
| 6   | Gasket             | PTFE       |
| 7   | Press Nuts         | Brass      |
| 8   | Handle             | Mild Steel |
| 9   | Nuts               | S/S        |
| 10  | Hose Union         | Brass      |
| 11  | O- Ring            | NBR        |
| 12  | Stream Straightner | Brass      |
| 13  | Outlet             | S/S        |

Brass Float Valve - Threaded End



**SPECIFICATION**

Hot forged brass body -NBR replaceable seat

**APPLICATION**

Domestic installations, Municipal, Water Trough's and Tanks

**FEATURES**

- \* NBR replaceable soft seat \* Design Conforms to SABS 752
- \* Outlet threaded (F2)

**DIMENSIONS**

| Code   | E          | L   | L1  | L2 | E1  | F2   | A    | DN | FLOAT SIZE | MAX TEMP |
|--------|------------|-----|-----|----|-----|------|------|----|------------|----------|
| 112656 | 15mm (½")  | 73  | 300 | 30 | M8  | G3/8 | 34.0 | 4  | 110-125    | 50°C     |
| 111657 | 20mm (¾")  | 76  | 300 | 33 | M8  | G3/8 | 34.0 | 6  | 125        | 50°C     |
| 112658 | 25mm (1")  | 90  | 380 | 36 | M10 | G1/2 | 43.5 | 10 | 150        | 50°C     |
| 112659 | 32mm (1¼") | 99  | 380 | 40 | M10 | G3/4 | 53.5 | 12 | 150        | 50°C     |
| 112661 | 40mm (1½") | 138 | 450 | 48 | M12 | G1   | 60.0 | 14 | 200-250    | 50°C     |
| 112602 | 50mm (2")  | 140 | 450 | 50 | M12 | G1   | 71.0 | 16 | 250-300    | 50°C     |

**MATERIAL**

| SIZE | PART      | MATERIAL        |
|------|-----------|-----------------|
| 1    | Body      | Brass           |
| 2    | Core      | Brass           |
| 3    | Gasket    | Sikicagel       |
| 4    | Tie-in    | Brass           |
| 5    | D-Ring    | NBR             |
| 6    | Press nut | Brass           |
| 7    | Rotor     | Brass           |
| 8    | Pin       | Brass           |
| 9    | Tie rod   | Brass           |
| 10   | Nuts      | Stainless steel |

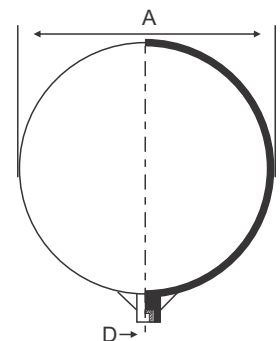
NB: Floats are supplied seperately and is available in Copper or Platic

**FLOATS FOR ABOVE**

Copper Ball Float, with Threaded insert

**DIMENSIONS**

| Code   | A<br>DIA (mm) | D<br>THREAD (mm) | For Valve Size (mm) |
|--------|---------------|------------------|---------------------|
| 018537 | 115           | 8                | 15mm                |
| 098922 | 125           | 8                | 20mm                |
| 098923 | 150           | 10               | 25 - 32mm           |
| 098926 | 200           | 12               | 40mm                |
| 098927 | 250           | 12               | 40mm                |
| 018541 | 300           | 12               | 50mm                |



Plastic Ball Float, Threaded

**DIMENSIONS**

| Code   | A<br>DIA (mm) | D<br>THREAD (mm) | For Valve Size (mm) |
|--------|---------------|------------------|---------------------|
| 018533 | 110           | 8                | 15mm                |
| -      | 125           | 8                | 15 - 20mm           |
| 018536 | 150           | 10               | 25 - 32mm           |
| -      | 200           | 12               | 40mm                |
| -      | 250           | 12               | 50mm                |



\* All measurements are in mm



CP Mini Ball Valve F x F (Female Threaded Ends)



**SPECIFICATION**

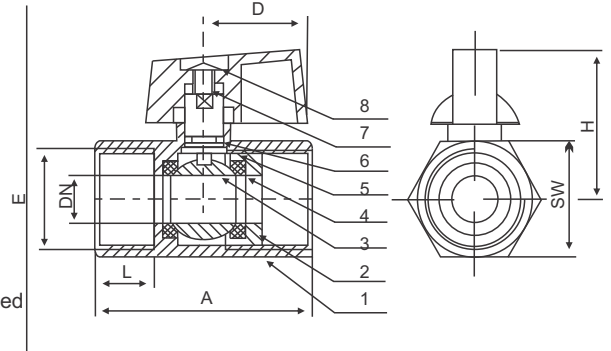
Reduced bore - hot stamped brass body- chrome plated - brass ball, chrome plated

**APPLICATION**

Domestic installations

**FEATURES**

Brass Ball & Stem \* Die Cast Handle \* Materials used create long life and mechanical strength



**DIMENSIONS**

| Code   | Size        | A    | H  | D  | L    | SW   | DN   | TEMP Max | PN BAR |
|--------|-------------|------|----|----|------|------|------|----------|--------|
| 112479 | 8mm (1/4")  | 39.5 | 26 | 23 | 9.5  | 19.0 | 8.0  | 90°      | 10     |
| 112482 | 10mm (3/8") | 41.5 | 26 | 23 | 10.5 | 20.5 | 8.0  | 90°      | 10     |
| 112483 | 15mm (1/2") | 44.5 | 26 | 23 | 11.5 | 24.0 | 10.0 | 90°      | 10     |

**MATERIAL**

| NO. | NAME   | MATERIAL           |
|-----|--------|--------------------|
| 1   | Body   | Brass              |
| 2   | Screw  | Brass              |
| 3   | Ball   | Brass              |
| 4   | Gasket | PTFE               |
| 5   | Stem   | Brass              |
| 6   | O Ring | NBR                |
| 7   | Nuts   | S/S                |
| 8   | Handle | Aluminium die cast |

CP Mini Ball Valve M x F (Male / Female Threaded Ends)



**SPECIFICATION**

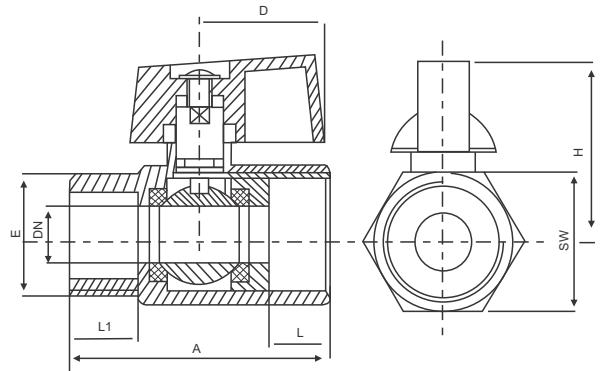
Reduced ball - hot stamped brass body- chrome plated - brass ball chrome plated

**APPLICATION**

Domestic installations

**FEATURES**

Brass Ball & Stem \* Die Cast Handle \* Materials used create long life and mechanical strength



**DIMENSIONS**

**HANDLE OPERATED**

| Code   | Size        | A    | H  | D  | L    | SW   | DN   | TEMP MAX°C | PN BAR |
|--------|-------------|------|----|----|------|------|------|------------|--------|
| 112484 | 8mm (1/4")  | 39.5 | 26 | 23 | 9.5  | 19.0 | 8.0  | 90°        | 10     |
| 112487 | 10mm (3/8") | 41.5 | 26 | 23 | 10.5 | 20.5 | 8.0  | 90°        | 10     |
| 112488 | 15mm (1/2") | 44.5 | 26 | 23 | 11.5 | 24.0 | 10.0 | 90°        | 10     |

**SCREW REGULATED**

|        |             |      |    |   |      |    |    |     |    |
|--------|-------------|------|----|---|------|----|----|-----|----|
| 112655 | 15MM (1/2") | 44.5 | 26 | - | 11.5 | 24 | 10 | 90° | 10 |
|--------|-------------|------|----|---|------|----|----|-----|----|

**MATERIAL**

| NO. | NAME   | MATERIAL           |
|-----|--------|--------------------|
| 1   | Body   | Brass              |
| 2   | Screw  | Brass              |
| 3   | Ball   | Brass              |
| 4   | Gasket | PTFE               |
| 5   | Stem   | Brass              |
| 6   | O Ring | NBR                |
| 7   | Nuts   | S/S                |
| 8   | Handle | Aluminium die cast |

S/S = Stainless Steel

\* All measurements are in mm

CP Brass Mini Ball Valve - C x C (Compression type ends)



**SPECIFICATION**

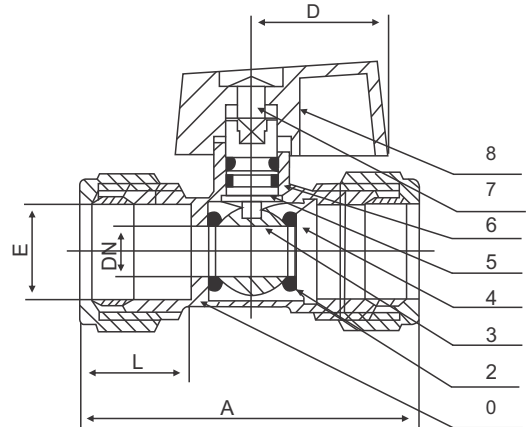
Hot forged brass body - brass ball chrome plated - compression ends for Copper & PP

**APPLICATION**

Domestic installations

**FEATURES**

\* Brass Ball & Stem \* Aluminium Die Cast Handle



**DIMENSIONS**

| Code   | Size        | A  | H    | D  | L    | SW   | DN  | TEMP Max | PN BAR |
|--------|-------------|----|------|----|------|------|-----|----------|--------|
| 112583 | 15mm (1/2") | 55 | 18.5 | 23 | 18.5 | 23.5 | 8.0 | 90°      | 10     |

**MATERIAL**

| NO. | NAME   | MATERIAL           |
|-----|--------|--------------------|
| 1   | Body   | Brass              |
| 2   | Seat   | S/S                |
| 3   | Ball   | Brass              |
| 4   | O Ring | NBR                |
| 5   | Stem   | Brass              |
| 6   | O Ring | NBR                |
| 7   | Screws | S/S                |
| 8   | Handle | Aluminium die cast |

CP Brass Mini Ball Valve Screw regulated (Compression type ends)



**SPECIFICATION**

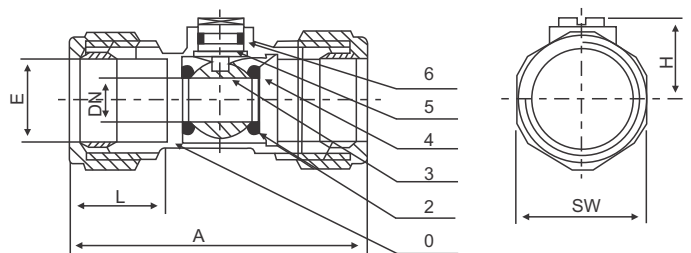
Hot forged brass body - brass ball chrome plated - compression ends for copper or PP.

**APPLICATION**

Domestic installations

**FEATURES**

\* Brass Ball & Stem \* Brass screw for screwdriver operation



**DIMENSIONS**

| Code   | Size (E)    | A  | H    | D  | L    | SW   | DN  | TEMP Max | PN BAR |
|--------|-------------|----|------|----|------|------|-----|----------|--------|
| 112579 | 15mm (1/2") | 55 | 18.5 | 23 | 18.5 | 23.5 | 8.0 | 90°      | 10     |

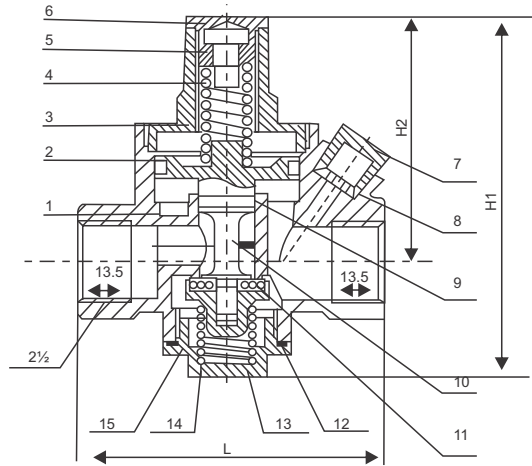
**MATERIAL**

| NO. | NAME   | MATERIAL           |
|-----|--------|--------------------|
| 1   | Body   | Brass              |
| 2   | Seat   | S/S                |
| 3   | Ball   | Brass              |
| 4   | O Ring | NBR                |
| 5   | Stem   | Brass              |
| 6   | O Ring | NBR                |
| 7   | Screws | S/S                |
| 8   | Handle | Aluminium die cast |

S/S = Stainless Steel

\* All measurements are in mm

Brass Pressure Reducing Valve F x F (Female Threaded Ends)



**SPECIFICATION**

Nominal pressure: 16BAR (200psi)  
 Working medium: water, oil, gas  
 Working temperature: < 120°C  
 Adjust pressure 0,5 - 8 BAR  
 Pressure test conform to ISO5208  
 Parallel pipe thread conform to ISO228 (equivalent to DIN259 and BS2779and ISO-R7)

**APPLICATION**

Used for domestic & commercial, plumbing, industrial applications, agricultural requirements and heating, sanitary, pneumatic systems, waterworks, hot water services, condensate lines is suitable with any non-aggressive fluid

**FEATURES**

- \* Port for pressure gauge
- \* Spring manufactured of long lasting materials
- \* Easy on-site adjustment

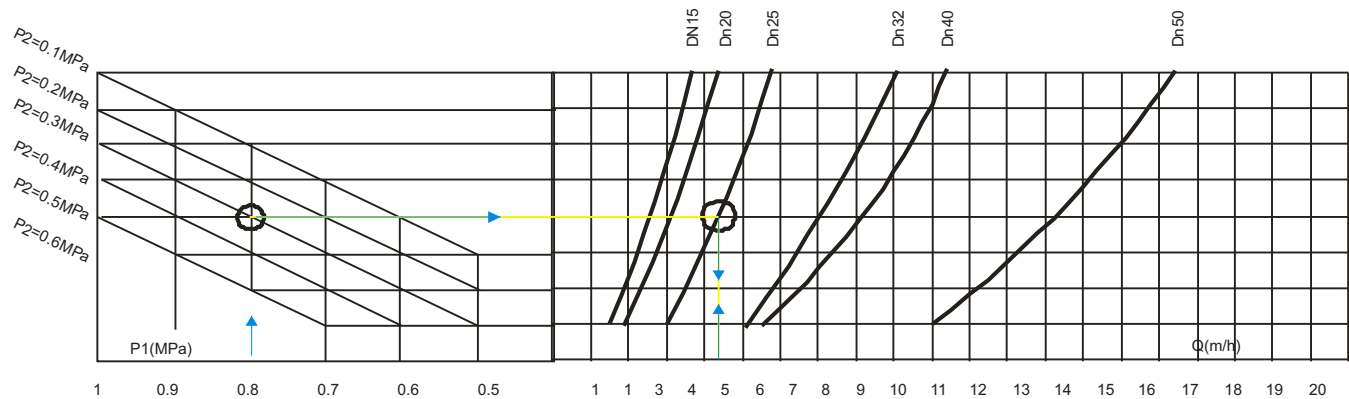
**MATERIAL**

| NO | NAME               | MATERIAL        |
|----|--------------------|-----------------|
| 1  | Body               | Brass (57%-60%) |
| 2  | O-ring             | NBR             |
| 3  | Bonnet             | Brass (57%-60%) |
| 4  | Compression Spring | Stainless Steel |
| 5  | Pressure screw     | Brass           |
| 6  | Nut Cap            | Brass           |
| 7  | Plug               | Brass           |
| 8  | Rectangular ring   | NBR             |
| 9  | O-ring             | NBR             |
| 10 | Disc               | Brass           |
| 11 | Rectangular ring   | Brass           |
| 12 | O-ring             | NBR             |
| 13 | End Cap            | Brass           |
| 14 | Compression Spring | ICribmIQTi      |
| 15 | Soring seat        | Brass           |

**DIMENSIONS**

| Size          | DN | L     | H1    | H2    |
|---------------|----|-------|-------|-------|
| 15mm (1/2")   | 15 | 78.5  | 93.0  | 63.5  |
| 20mm (3/4")   | 20 | 78.5  | 93.0  | 63.5  |
| 25mm (1")     | 25 | 84.0  | 114.0 | 78.0  |
| 32mm (1 1/4") | 32 | 85.0  | 117.7 | 79.0  |
| 40mm (1 1/2") | 40 | 9.5   | 151.0 | 104.0 |
| 50mm (2")     | 50 | 118.0 | 178.5 | 124.5 |

\* The up-stream pressure has to be more than 4 BAR



**FLOW CHARACTERISTICS:**

1. The chart data is the theoretical calculation values.
2. When the head loss of the pressure reducing valve is 0.1MPa, the data of the flow rate is Q.
3. P1 is the "import static pressure" P2 is the "exit static pressure".
4. This chart was made according to the experimental data there is a little difference in the actual size.

\* All measurements are in mm

**PRODUCT CATALOGUE**



**BRASS**

**VALUE**



**QUALITY**

**PERFORMANCE**



**DISCLAIMER**

Whilst every care was taken in compiling this data, information and related material contained herein are subject to change without notification. All detail that this document contains are provided in good faith and therefore no representation or warranty whatsoever regarding the completeness, accuracy, "up to date", or adequacy of, suitability, functionality, omission, or operation is specifically disclaimed of any liability for direct, indirect or consequential loss or damage, however so arising, from the use or reliance on information herein thereafter provided.

**INCLEDON**

|              |                   |             |                   |                |                   |           |                   |
|--------------|-------------------|-------------|-------------------|----------------|-------------------|-----------|-------------------|
| BLOEMFONTEIN | Tel: 051 408 9200 | BURGERSFORT | Tel: 013 231 7224 | GERMISTON      | Tel: 011 323 0800 | KATHU     | Tel: 053 723 2213 |
| KLERKSDORP   | Tel: 018 462 0009 | LEPHALALE   | Tel: 014 763 5824 | NELSPRUIT      | Tel: 013 752 3121 | POLOKWANE | Tel: 015 292 8660 |
| RUSTENBURG   | Tel: 014 591 7700 | SECUNDA     | Tel: 017 631 4200 | UPINGTON       | Tel: 054 332 1089 | WELKOM    | Tel: 057 396 1131 |
| DURBAN       | Tel: 031 716 2200 | EAST LONDON | Tel: 043 736 6022 | PORT ELIZABETH | Tel: 041 409 8000 |           |                   |

**DPI TRADING (Western Cape)**

CAPE TOWN Tel: 021 957 5600 | GEORGE Tel: 044 874 2327

