

**PRODUCT CATALOGUE**

Quality

Industrial

Valves



Value

Performance

Quality



BRONZE VALVES

WCB & SS  
BALL VALVES

GAS VALVES



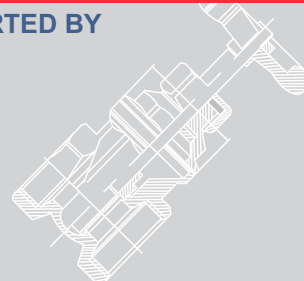
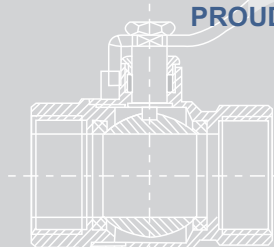
**CONFIDENCE IN VALVE TECHNOLOGY**

PROUDLY IMPORTED BY

**DPI Trading**

*The most trusted name in quality products & brands*

[www.dpitrading.co.za](http://www.dpitrading.co.za)



**Inclledon**

*The most trusted name in quality products & brands*

[www.inclledon.co.za](http://www.inclledon.co.za)

**BRONZE VALVES**

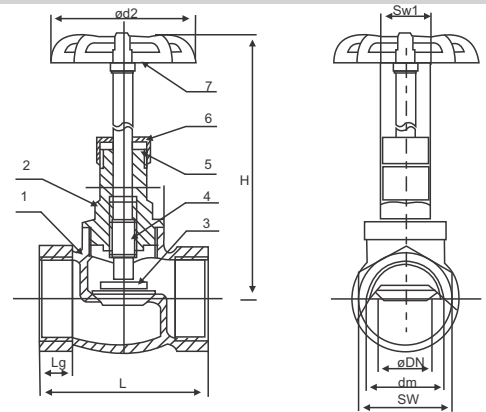
**Bronze Globe Valve F x F (Female Threaded Ends)**



Bronze Trim

**SPECIFICATION**  
Bronze body - graphite packing

**APPLICATION**  
Hot water and steam reticulation \* Suitable for non-shock steam, water, oil, gas and air. Ideal for accurate throttling and shut-off



**DIMENSIONS**

Bronze trim Code	Size	DN	c <sub>ř</sub>	[	H	lg	c <sub>Ě</sub>	{ í	SW1	PN
050587	15mm (½")	14	53	56	100	11.0	25	28	19.0	25
050588	20mm (¾")	18	54	67	115	12.0	30	34	20.5	25
050589	25mm (1")	20	59	78	125	14.0	35	41	23.0	25
050590	32mm (1¼")	28	71	90	135	15.5	45	51	27.0	25
050591	40mm (1½")	3E	71	103	150	16.0	53	57	32.0	25
050592	50mm (2")	4E	77	120	165	18.0	62	70	38.0	25

**MATERIAL**

NO.	NAME	MATERIAL
1	Body	Bronze
2	Bonnet	Bronze
3	Nuts	S/S
4	Gasket	Bronze
5	Seat	PTFE/Bronze
6	Seal Holder	Bronze
7	Stem	Bronze
8	Gasket	Graphite
9	Hex	Bronze
10	Handle	Castliron

Pressure / Temperature Ratings for Tekflo Bronze Valves											
Size DN	Temp. 0°C	-20° to +65°	100°	110°	120°	130°	140°	150°	160°	170°	180°
15-50 mm	Pressure Bar	25	25	23.2	21.5	19.7	18.0	16.2	14.6	13.0	11.2

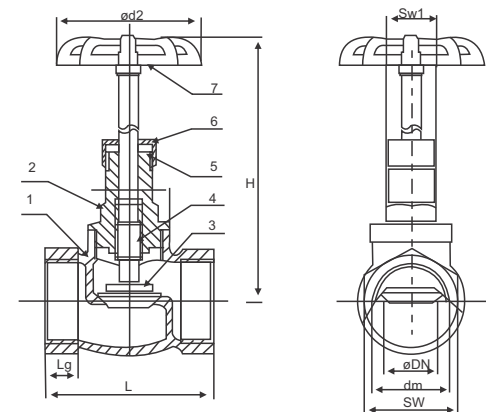
**Bronze Globe Valve F x F (Female Threaded Ends)**



PTFE Trim

**SPECIFICATION**  
Bronze body - graphite packing

**APPLICATION**  
Hot water and steam reticulation \* Suitable for non-shock steam, water, oil, gas and air. Ideal for accurate throttling and shut-off



**DIMENSIONS**

PTFE trim Code	Size	DN	c <sub>ř</sub>	[	H	lg	c <sub>Ě</sub>	{ í	SW1	PN
050559	15mm (½")	14	53	56	100	11.0	25	28	19.0	25
050560	20mm (¾")	18	54	67	115	12.0	30	34	20.5	25
050561	25mm (1")	20	59	78	125	14.0	35	41	23.0	25
050562	32mm (1¼")	28	71	90	135	15.5	45	51	27.0	25
050563	40mm (1½")	3E	71	103	150	16.0	53	57	32.0	25
050564	50mm (2")	4E	77	120	165	18.0	62	70	38.0	25

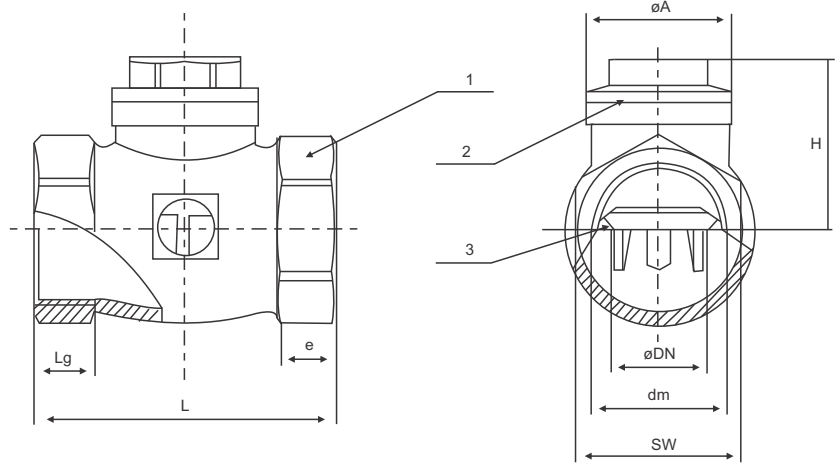
**MATERIAL**

NO.	NAME	MATERIAL
1	Body	Bronze
2	Bonnet	Bronze
3	Nuts	S/S
4	Gasket	Bronze
5	Seat	PTFE/Bronze
6	Seal Holder	Bronze
7	Stem	Bronze
8	Gasket	Graphite
9	Hex	Bronze
10	Handle	Castliron

Pressure / Temperature Ratings for Tekflo Bronze Valves											
Size DN	Temp. 0°C	-20° to +65°	100°	110°	120°	130°	140°	150°	160°	170°	180°
15-50 mm	Pressure Bar	25	25	23.2	21.5	19.7	18.0	16.2	14.6	13.0	11.2

**BRONZE VALVES**

**Bronze Lift Check Valve F x F (Female Threaded Ends)**



**SPECIFICATION**

Bronze body, bronze seat

**APPLICATION**

Hot water and steam reticulation \* Suitable for non-shock steam, water, oil, gas and air. Ideal for accurate throttling

**DIMENSIONS**

Code	Size	DN	L	H	Lg	0A	SV	PN
050350	15mm (½")	12	56	33	11	£5	28	25
050351	20mm (¾")	15	67	38	12	30	34	25
050352	25mm (1")	18	78	4S	14	35	41	25
050353	32mm (1¼")	26	90	50	15.5	45	51	25
050354	40mm (1½")	30	103	57	16	53	57	25
050355	50mm (2")	40	120	65	18	62	70	25

**MATERIAL**

NO	NAME	MATERIALS
1	Body	Bronze
2	Bonnet	Bronze
3	Insert	Bronze

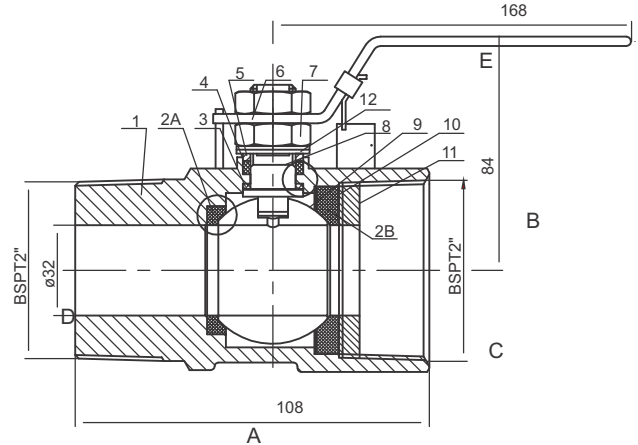
S/S = Stainless Steel

\* Pressure/Temperature rating as per Bronze Globe Valves

\* All measurements are in mm

Pressure / Temperature Ratings for Tekflo Bronze Valves											
Size DN	Temp. 0°C	-20° to +65°	100°	110°	120°	130°	140°	150°	160°	170°	180°
15-50 mm	Pressure Bar	25	25	23.2	21.5	19.7	18.0	16.2	14.6	13.0	11.2

1 Piece Carbon Steel Ball Valve - M x F (Male/Female Threaded Ends)



**SPECIFICATION**

A105 Carbon Steel body, 316 stainless steel ball, RPTFE seats, Fire Safe certified

**APPLICATION**

Petrochemical, petrol station installations and industrial use

**FEATURES**

Lockable handle, fire safe certified  
PN69 Bar pressure rated (1000 psi)

**DIMENSIONS**

Code	Size	A	B	C	D	E
112468	40mm	94	68	1½"	24	160
112469	50mm	108	84	2"	32	168

PRESSURE / TEMPERATURE RATINGS FOR TEK FLO WCB/SS (1000 WOG) VALVES WITH RPTFE SEATS									
Size mm	Temp °C	-30 °C	0 °C	100°C	180°C	230°C	300°C	350°C	380°C
8 - 50 mm	Pressure	69	69	69	63	48	30	14	7
65 - 80 mm	Bar	50	50	50	50	48	30	14	7

1 Piece Carbon Steel Ball Valve - FxF (Female Threaded Ends)



**SPECIFICATION**

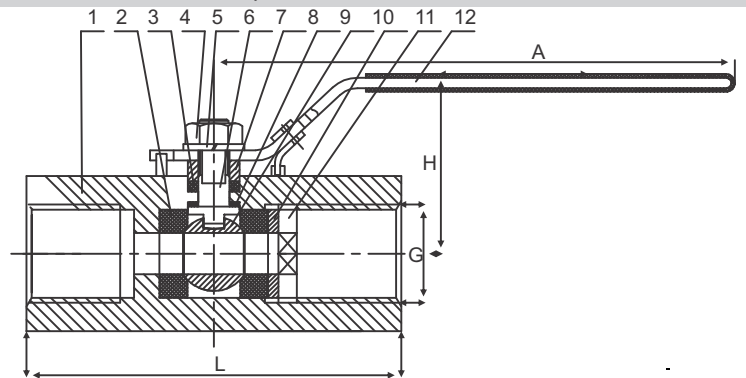
A105 Carbon Steel body, stainless steel ball, RPTFE seats

**APPLICATION**

Water, Oil & Gas.

**FEATURES**

Pn69 Bar pressure rated (1000 psi)



**MATERIALS**

NO	NAME	MATERIAL
1	Body	A105
2	Ball	S/S
3	Seat	PTFE
4	Bonnet	A105
5	Gasket	PTFE
6	Srem	S/S
7	Packing	PTFE
8	Packing Ring	A105
9	Handle	S/S
10	Spring Washer	Mild Steel
11	Seat Nut	S/S

**DIMENSIONS**

Code	Size	L	L1	d	H	W
051385	10mm (3/8")	60.0	14	8	38	95
051386	15mm (½")	60.0	14	10	43	100
051387	20mm (¾")	67.5	15	13	42	100
051388	25mm (1")	75.0	18	17	45	100
051389	32mm (1¼")	90.0	18	22	57	120
051390	40mm (1½")	95.0	18	25	78	150
051391	50mm (2")	110.0	22	32	83	150

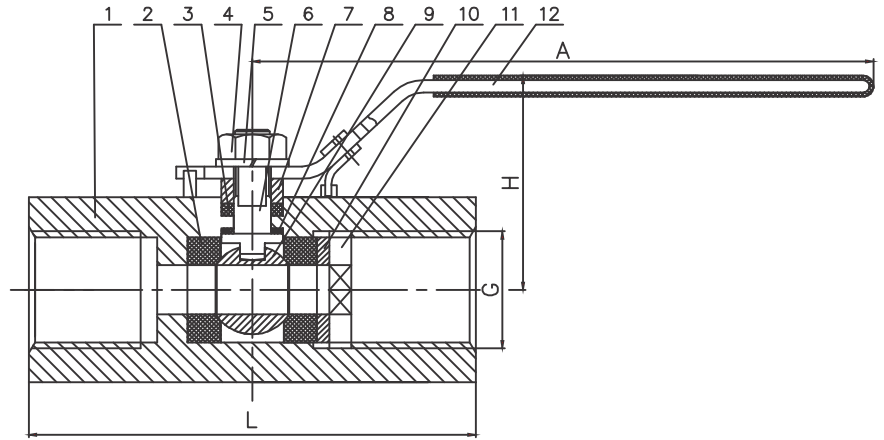
S/S = Stainless Steel

\* Pressure rating as per 1 piece Carbon Steel Ball Valve

\* All measurements are in mm

\* Pressure/Temperature rating as per table above

1 Piece Stainless Steel Ball Valve - F x F (Female Threaded Ends)



**SPECIFICATION**

316 Stainless steel Body, 316 Stainless Steel Ball, RPTFE seats

**APPLICATION**

Water, Oil & Gas.

**FEATURES**

Lockable handle, PN69 Bar pressure rated (1000 psi)

**DIMENSIONS**

Code	Size	DN	d	L	H	A
112442	8mm (¼")	6	5	40	28	83
112443	10mm (3/8")	10	8	44	30	83
112444	15mm (½")	15	9.5	55	34	102
112445	20mm (¾")	20	12.5	60	40	102
112446	25mm (1")	25	16	71	52	120
112447	32mm (1¼")	32	20	76	62	120
112448	40mm (1½")	40	25	83	68	140
112449	50mm (2")	50	32	99	75	148

**MATERIALS**

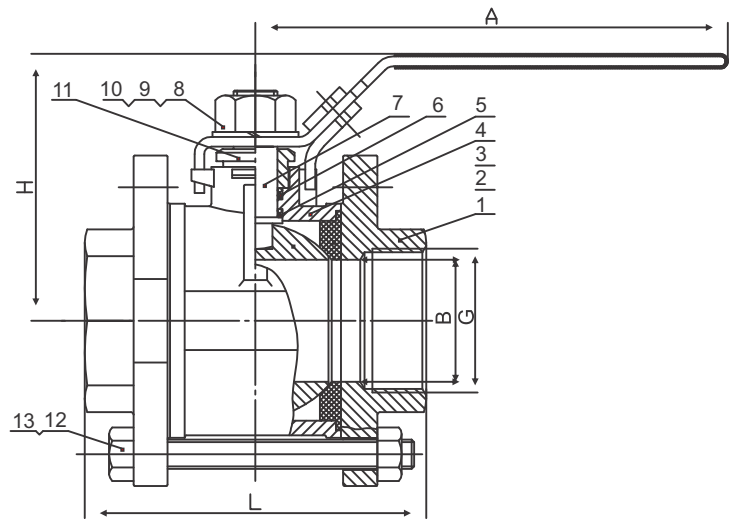
NOS	PART NAME	MATERIAL
1	Body	ASTM A351 CP8M
2	Sealing Ring	RPTFE
3	Packing	PTFE
4	Hexangular Nut	S/S
5	Spring Washer	S/S
6	Stem	ASTMA182 F316
7	Packing Ring	S/S
8	Washer	PIPE
9	Ball	ASTMA182 F316
10	SealingRing	PTFE
11	Nut	S/S
12	Handle	S/S

PRESSURE / TEMPERATURE RATINGS FOR TEK FLO WCB/SS (1000 WOG) VALVES WITH RPTFE SEATS									
Size mm	Temp °C	-30 °C	0 °C	100°C	180°C	230°C	300°C	350°C	380°C
8 - 50 mm	Pressure	69	69	69	63	48	30	14	7
65 - 80 mm	Bar	50	50	50	50	48	30	14	7

S/S = Stainless Steel

\* All measurements are in mm

**3 Piece Stainless Steel Ball Valve - F x F (Female Threaded Ends)**



**SPECIFICATION**

316 Stainless steel Body RPTFE seats - 3 piece body

**APPLICATION**

Water, Oil & Gas.

**FEATURES**

Lockable handle, PN69 Bar rated (1000 psi)

**DIMENSIONS**

Code	Size	DN	B	L	E	H	A
112431	8mm (1/4")	6	8	67	11.5	48	101
112432	10mm (3/8")	10	10	67	11.5	48	101
112433	15mm (1/2")	15	15	67	14.0	56	101
112434	20mm 3/4")	20	20	77	15.0	62	117
112435	25mm (1")	25	25	87	15.0	71	138
112436	32mm (1 1/4")	32	32	102	18.0	80	155
112437	40mm (1 1/2")	40	38	112	19.0	91	176
112438	50mm (2")	50	50	135	19.0	97	177
112439	65mm (2 1/2")	65	64	179	23.0	133	235
112440	80mm (3")	80	80	210	25.0	136	258

**MATERIALS**

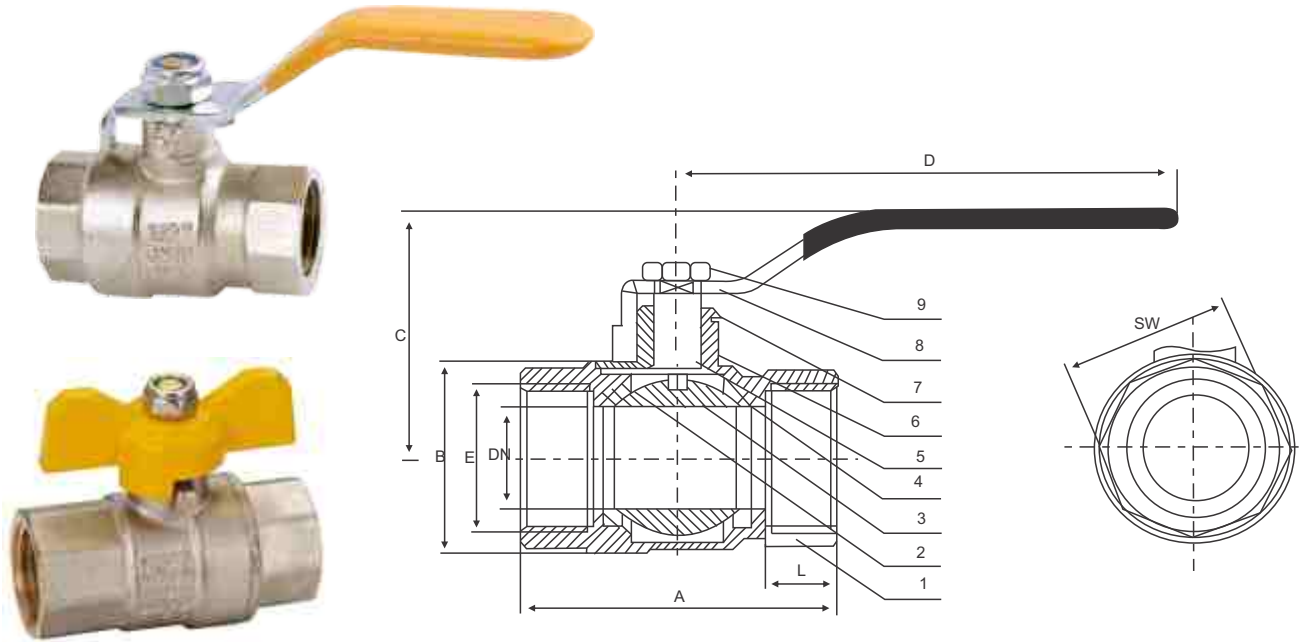
NO	PARTS	MATERIAL
1	Bonnet	ASTM A351 CF8M
2	Sealing Ring	RPTFE
3	Ball	ASTM A182 F316
4	Body	ASTM A351 CF8M
5	Gasket	PTFE
6	Packing	PTFE
7	Stem	ASTM A182 F316
8	Nut	A194 8
9	Washer	S/S
10	Handle	S/S
11	Gland	ASTM A182 F316
12	Nut	A194 8
13	Bolt	A193 B8

PRESSURE / TEMPERATURE RATINGS FOR TEK FLO WCB/SS (1000 WOG) VALVES WITH RPTFE SEATS									
Size mm	Temp °C	-30 °C	0 °C	100°C	180°C	230°C	300°C	350°C	380°C
8 - 50 mm	Pressure	69	69	69	63	48	30	14	7
65 - 80 mm	Bar	50	50	50	50	48	30	14	7

S/S = Stainless Steel

\* All measurements are in mm





**SPECIFICATION**

Hot pressed two piece brass body - nickel plated  
 Brass ball - hard chrome plated. Body - full bore design  
 Finished to provide a perfect seal with PTFE seats.

**APPLICATION**

Bi-directional non-shock services. Designed specifically in compliance with the stringent requirements of gas applications.

**FEATURES**

- \* Anti-blow out stem
- \* Brass ball and stem
- \* Stainless steel nylok nut
- \* European CE approval for gas application
- \* Handle marked in Yellow, for GAS standard
- \* Heavy pattern body - for high pressure and improved mechanical strength

Code	Size	A	B	C	D	L	DN	PN	SW
112663	8mm (1/4)	44.5	22.0	45.5	85	11	9	40	18,7
112664	10mm (3/8)	45,5	24,5	46.5	85	13	10	40	21.3
112666	15mm (1/2)	53.0	29.5	49.0	100	14	14	40	25.5
112667	20mm (3/4)	58,5	36,5	52.0	100	15	19	40	31.5
112668	25mm (1)	73.5	44.0	58.0	112	19	22	40	38.0
112669	32mm (1 1/4)	83.0	53.5	71.0	140	19	21	40	47.5
112671	40mm (1 1/2)	93,5	63,5	76.0	140	20	35	40	54.0
112672	50mm (2)	103,5	75,5	86.0	165	20	43	40	66.0
	65mm (2 1/2)	116.0	97.0	103.0	235	19	57	30	81.0
	80mm (3)	139.0	114.0	123.0	240	21	69	25	96.0
	100mm (4)	165.0	139.0	135.0	240	27	85	25	120.0

No	NAME	MATERIAL
1	body	brass
2	screw	brass
3	ball	brass
4	o-ring	PTFE
5	stem	brass
6	gasket	PTFE
7	nuts	brass
8	handle	iron
9	nuts	stainless steel

\* NB All 8, 10, & 15mm valves will be supplied with a lever handle and /or thumb operated handle

**PRODUCT CATALOGUE**



**DISCLAIMER**

Whilst every care was taken in compiling this data, information and related material contained herein are subject to change without notification. All detail that this document contains are provided in good faith and therefore no representation or warranty whatsoever regarding the completeness, accuracy, "up to date", or adequacy of, suitability, functionality, omission, or operation is specifically disclaimed of any liability for direct, indirect or consequential loss or damage, however so arising, from the use or reliance on information herein thereafter provided.

**INCLEDON**

BLOEMFONTEIN	Tel: 051 408 9200	BURGERSFORT	Tel: 013 231 7224	GERMISTON	Tel: 011 323 0800	KATHU	Tel: 053 723 2213
KLERKSDORP	Tel: 018 462 0009	LEPHALALE	Tel: 014 763 5824	NELSPRUIT	Tel: 013 752 3121	POLOKWANE	Tel: 015 292 8660
RUSTENBURG	Tel: 014 591 7700	SECUNDA	Tel: 017 631 4200	UPINGTON	Tel: 054 332 1089	WELKOM	Tel: 057 396 1131
DURBAN	Tel: 031 716 2200	EAST LONDON	Tel: 043 736 6022	PORT ELIZABETH	Tel: 041 409 8000		

**DPI TRADING (Western Cape)**

CAPE TOWN	Tel: 021 957 5600	GEORGE	Tel: 044 874 2327
-----------	-------------------	--------	-------------------

