

## WATERWORKS VALVES

### TECHNICAL CATALOGUE

# Waterworks Valves



## Specification

SABS 664:1 & 3 : 2009

ISO 9001:2008



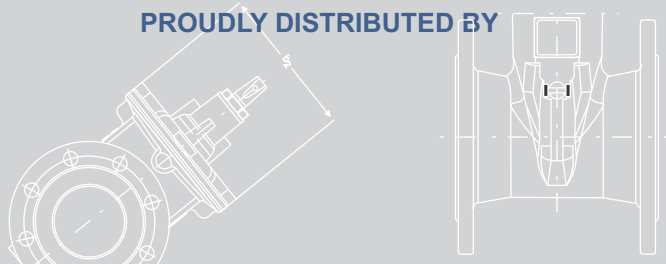
## VAG ARMATUREN

**DPI Trading**

*The most trusted name in quality products & brands*

[www.dpitrading.co.za](http://www.dpitrading.co.za)

PROUDLY DISTRIBUTED BY



**Inclledon**

*The most trusted name in quality products & brands*

[www.inclledon.co.za](http://www.inclledon.co.za)

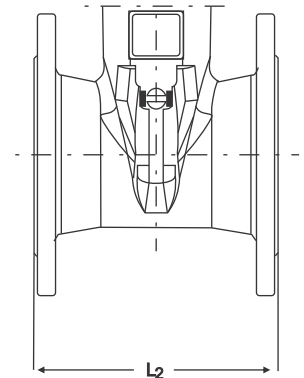
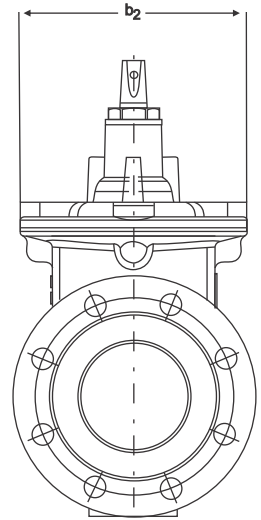
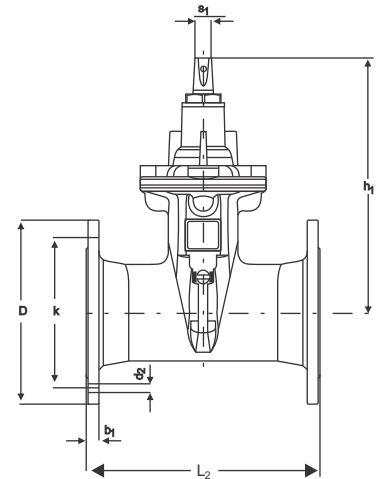
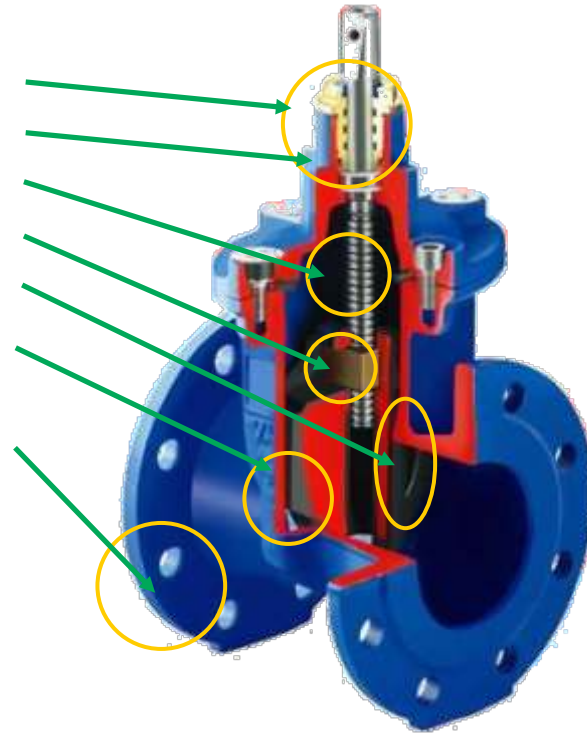
# WATERWORKS VALVES

## EKO plus Gate Valve - Flange Type

### Product Features

#### VAG EKO® plus Features

- 3 O-rings \*
- Elongated bearing \*
- Stainless Steel Stem \*
- Replaceable stem nut \*
- Sliding shoes for min 2500 sysbls \*
- EPDM anti-bacteriological type \*  
(according DVGW W 270)
- 250 my epoxy coating GSK quality \*



#### Field of use

#### Final Inspection Tests in acc. With EN 12266

DN	PN	Max. operating pressure	Max. operating temperature for neutral liquids	Test pressure with water	
mm	bar	bar	°C	in body	in seat
80 - 300	16	16	50	24	17.6

#### Dimensions in mm

DN		50	80	100	150	200	250	300
Dimensions	h <sub>1</sub> , approx.	233	278	310	386	493	606	670
	b <sub>2</sub>	121	206	206	252	330	413	472
	S <sub>1</sub>	14	17	19	19	24	27	27
	D <sub>k</sub>	200	250	300	300	400	400	500
Face-to-Face complies w with SABS 664:1999	L <sub>2</sub>	216	229	254	280	317	356	380
PN 16	D	165	200	220	285	340	405	460
Flange dimensions	k	125	160	180	240	295	355	410
	b <sub>1</sub>	19	19	19	19	20	28	28
	No. of holes	4	8	8	8	12	12	12
	d <sub>2</sub>	18	18	18	22	22	22	32
Turns/stroke		12	20	20	30	34	43	51
Net weight (kg)		11.8	18.7	24.9	39.2	63.8	124.1	159.2
Code	L/H closing	052798	052720	052824	052828	052932	052910	053184
	R/H closing	052799	052831	052825	052929	052933	052182	053186

# WATERWORKS VALVES

## EKO plus Gate Valve - Socket Type

### Product features

- \* Resilient seated to EN 1171
- \* Face-to-face length according to SABS 664
- \* Socket connection for PVC pipes class 4, 6, 8 or 12 to SABS 664, SO 3606, ISO 4422, DIN 8061 and DIN 8062, or PE pipelines to DIN 8074
- \* Low torque due to plastic sliding caps on the wedge
- \* Elastomere approved in acc. with W 270 (DVGW)
- \* Final Inspection Test to EN 12266 (DIN 3230 part 4)

### Material

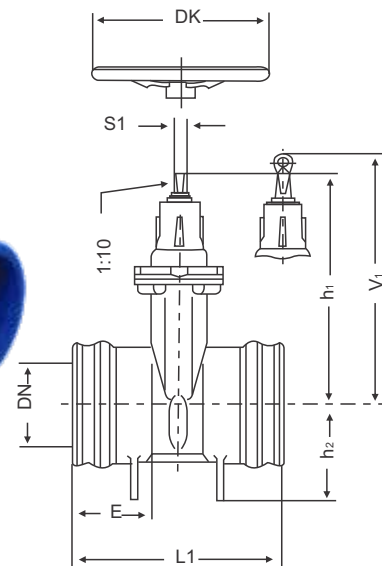
- \* Body, wedge and bonnet of ductile cast iron EN - JS 1030 (GGG-40)
- \* Stem of stainless steel with 13% chromium
- \* Stem nut of brass

### Corrosion Protection

- \* Inside and outside epoxy coating, acc. to GSK-regulations

### Field of application

- \* Maximum operating temperature: 50 °C

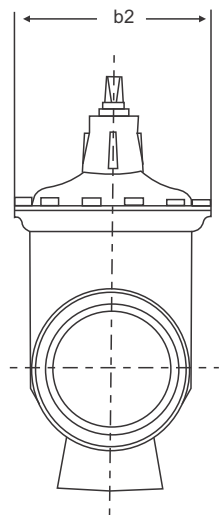


Accessories
* T-key
* Stem extensions
* Surface box, plastic
* Surface box, plastic, adjustable
* Supporting plate, plastic
* Surface box, cast iron

### Field of use

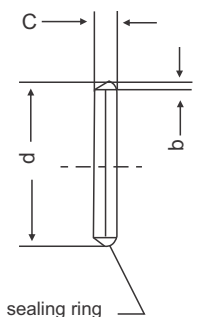
### Final Inspection Tests in acc. With EN 12266

DN	PN	Max. operating pressure	Max. operating temperature for neutral liquids	Test pressure with water	
				in body	in seat
mm	bar	bar	°C		
50...200	16	16	50	24	17.6



### Dimensions in mm

DN		50	65	80	100	150	200
Outside diameter of the pipeline		63	75	90	110	160	200
Face-to-Face length	h <sub>1</sub> , approx.	335	335	335	355	405	450
Dimensions	b <sub>2</sub>	121	206	206	206	252	330
	DK	200	250	250	300	300	400
	E1	136	125	125	134	149	165
	S <sub>1</sub>	14.3	17.3	17.3	19.3	19.3	24.3
	H <sub>1</sub>	233	273	278	310	386	493
	H <sub>2</sub>	58	72	87	87	147	205
	V <sub>1</sub>	-	-	-	-	-	537
Sealing ring	b	10.3	11.5	12.8	14.2	17.2	19.1
	c	18.1	20.3	22.2	24.2	27.8	29.5
	d	83.6	98	115.6	138.4	194.4	238.2
Turns/storke		12.5	18	20.5	20.5	30.5	34
Net weight (kg)		8.5	11.5	12.5	15	29.7	53
Code	L/H closing	052840	052842	052846	052850	052856	052862
	R/H closing	052841	052843	052847	052851	052857	052863





## WATERWORKS VALVES

### DUOJET Automatic Air Valve

#### Product Features

#### Materials

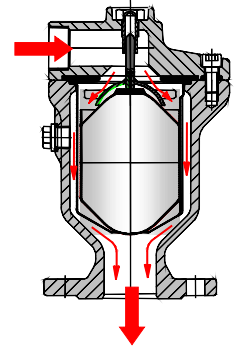
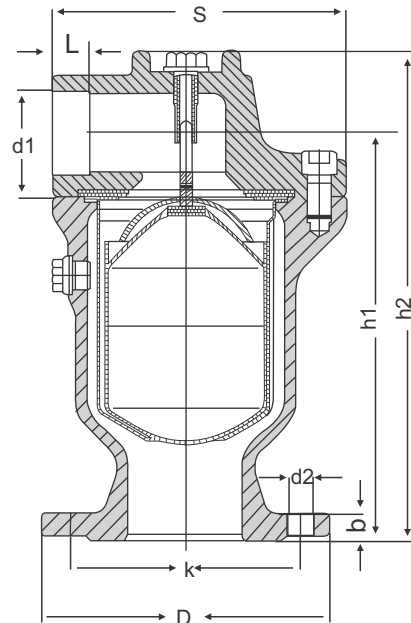
- \* Body and bonnet: GGG 40
- \* Internal parts: Float, shell and dome: stainless steel
- \* Screws and disk: stainless steel
- \* Gaskets: EPDM

#### Corrosion protection

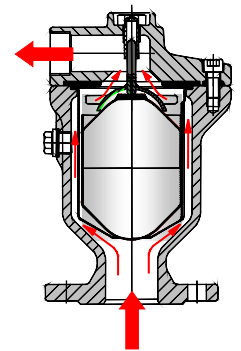
- Body and bonnet:
- \* Inside and outside epoxy powder coating

#### Rating

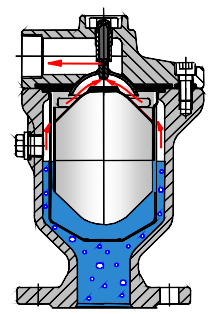
- Nominal diameter
- \* DN 50, 80, 100, 150 and 200
- Nominal pressure
- \* PN 10/16/25



1. Admission during draining



2. Venting during filling



3. Venting during operation

#### Dimensions in mm

DN		50	80	100	150	200
	d1 DIN-ISO 228-1	G 2 *	G 2	G 2½	G 4	G 4
	h	340	340	380	510	510
	h2	282	282	317	423	423
	os	185	185	205	260	260
	L	25	25	30	40	40
Net weight	kg=	25	25	28	56	75
Volume req.	m3=	0.015	0.015	0.020	0.040	0.040
Flange dimensions to	FN 10 No. of holes	for all other dimensions see FN16				8
EN 1092-	FN 16 D	165	200	220	285	340
	k	125	160	180	240	295
	No. of Holes	4	8	8	8	12
	d2	18	18	18	22	22
	b	19	19	19	19	20
	FN 25 D	165	200	235	300	360
	k	125	160	190	250	310
	No. of holes	4	8	8	8	12
	d2	18	18	22	26	26
	b	19	19	19	20	22
Model	L/H closing	052864	052865	052866	052867	052868
	R/H closing	052869	052870	052871	052872	052873

\* DN 50: FN 16; DN 80: FN 16; DN 100: FN 16; DN 150: FN 25; DN 200: FN 25

#### DISCLAIMER

Whilst every care was taken in compiling this data, information and related material contained herein are subject to change without notification. All detail that this document contains are provided in good faith and therefore no representation or warranty whatsoever regarding the completeness, accuracy, "up to date", or adequacy of, suitability, functionality, omission, or operation is specifically disclaimed of any liability for direct, indirect or consequential loss or damage, however so arising, from the use or reliance on information herein thereafter provided.

#### INCLEDON

BLOEMFONTEIN	Tel: 051 408 9200	BURGERSFORT	Tel: 013 231 7224	GERMISTON	Tel: 011 323 0800	KATHU	Tel: 053 723 2213
KLERKSDORP	Tel: 018 462 0009	LEPHALALE	Tel: 014 763 5824	NELSPRUIT	Tel: 013 752 3121	POLOKWANE	Tel: 015 292 8660
RUSTENBURG	Tel: 014 591 7700	SECUNDA	Tel: 017 631 4200	UPINGTON	Tel: 054 332 1089	WELKOM	Tel: 057 396 1131
DURBAN	Tel: 031 716 2200	EAST LONDON	Tel: 043 736 6022	PORT ELIZABETH	Tel: 041 409 8000		

#### DPI TRADING (Western Cape)

CAPE TOWN Tel: 021 957 5600 GEORGE Tel: 044 874 2327

