

**PRODUCT CATALOGUE**

**General Purpose**

**PVC**

**Valves**



**PVC VALVES**



**Value**

**Performance**

**Quality**



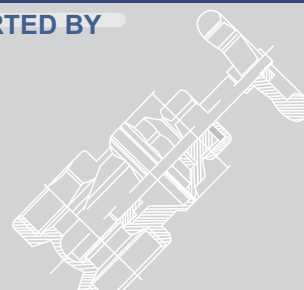
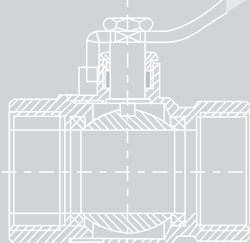
**CONFIDENCE IN VALVE TECHNOLOGY**

PROUDLY IMPORTED BY

**DPI Trading**

*The most trusted name in quality products & brands*

[www.dpitrading.co.za](http://www.dpitrading.co.za)



**Inclledon**

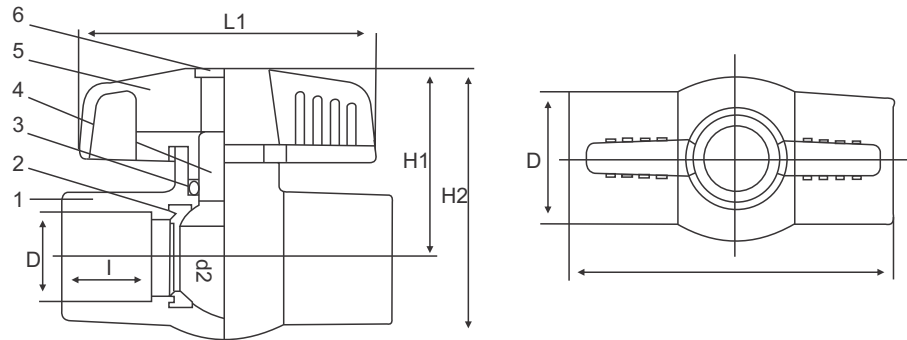
*The most trusted name in quality products & brands*

[www.inclledon.co.za](http://www.inclledon.co.za)

PVC Compact Ball Valve F x F (Female Threaded Ends)



\*15 mm - 50mm



**SPECIFICATION**

One piece PVC body,  
Available in Threaded and Solvent Weld Ends

**APPLICATION**

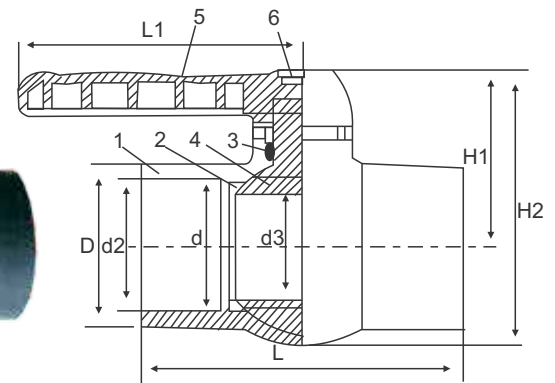
For domestic, light industrial and irrigation use

**FEATURES**

PN 16 bar rated up to 65mm, PN 10, 80 & 100mm,  
Can be used for water containing light chemicals



65mm - 100mm



**DIMENSIONS**

Code Threaded	Code Solvent Weld	Size	ANSI		d3	D		L		L1	I	H1	H2
			d1	d2		A	B	A	B				
031075	031084	15mm (½")	21.2	21.5	15.0	30.0	31.5	78.0	82.5	69.0	21.0	44.0	62.0
031076	031085	20mm (¾")	26.6	26.9	20.0	35.0	37.0	88.0	96.0	77.0	24.0	51.0	76.0
031077	031086	25mm (1")	33.3	33.7	25.0	43.0	44.0	102.0	105.5	92.0	28.0	87.0	59.0
031078	031087	32mm (1¼")	42.0	42.4	30.0	52.0	54.5	111.0	119.0	104.0	28.0	63.0	96.0
031079	031088	40mm (1½")	48.1	48.6	34.0	62.0	62.0	127.0	127.0	114.0	32.0	70.0	108.0
031080	031089	50mm (2")	60.2	60.6	45.0	72.0	76.0	142.0	150.0	134.0	37.0	82.0	129.0
031081	031090	65mm (2½")	72.9	73.4	60.0	90.0	90.0	179.0	179.0	160.0	45.0	99.0	152.0
031082	031091	80mm (3")	88.7	89.3	77.0	107.5	107.5	243.0	243.0	176.0	68.0	113.0	182.0
031083	031092	100mm (4")	114.1	114.8	97.0	129.0	135.0	285.0	285.0	196.0	80.0	132.0	209.0

**MATERIALS**

NO	PART	MATERIAL
1	BODY	U-PVC
2	SEAT SEAL	TPE
3	STEM O-RING	EPDM
4	BALL	PP
5	HANDLE	ABS, PP
6	CAP	ABS, PP



\* All measurements are in mm

PVC Single Union Ball Valve



**SPECIFICATION**

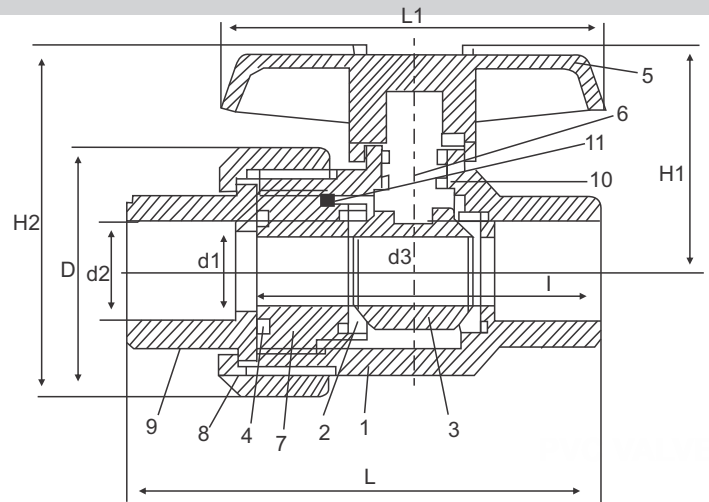
PVC Body, ABS handle,  
Available in Threaded and Solvent Weld ends,  
UV inhibitor infused PVC materials used

**APPLICATION**

Water and light chemical duties where maintenance is necessary.

**FEATURES**

PN 16 bar rated up to 65mm. PN 10, 80 & 100mm



**DIMENSIONS**

Code BSP	Code Solvent Weld	Size	The. /in		ANSI		l	d3	D	L	L1	H1	H2
			NPT	BSPT	d1	d2							
031093	031104	15mm (½")	14.0	14.0	21.2	21.5	20.0	14.0	48.0	93.5	79.0	48.0	70.0
031094	031105	20mm (¾")	14.0	14.0	26.6	26.9	19.5	20.0	60.5	105.5	90.0	58.0	87.0
031095	031106	25mm (1")	11.5	11.0	26.6	26.9	28.0	24.0	69.5	123.5	103.0	66.0	100.0
031096	031107	32mm (1¼")	11.5	11.0	42.0	42.4	31.5	32.0	83.0	141.0	110.0	75.5	108.5
031097	031108	40mm (1½")	11.5	11.0	48.1	48.6	33.0	40.0	95.0	154.0	120.0	90.0	136.0
031098	031109	50mm (2")	11.5	11.0	60.2	60.6	44.5	50.0	113.5	189.0	140.0	104.0	160.0
031099	031110	65mm (2½")	8.0	11.0	72.9	73.4	44.0	58.0	133.6	212.8	160.0	122.5	189.3
031100	031111	80mm (3")	8.0	11.0	88.7	89.3	52.0	75.0	168.0	239.5	180.0	150.2	234.2
031101	031112	100mm (4")	8.0	11.0	114.1	114.8	60.0	90.0	194.8	277.0	200.5	167.5	234.7

**MATERIALS**

NO	PART	MATERIAL
1	BODY	PVC
2	SEAT SEAL	TPE
3	BALL	PVC
4	CARRIER O-RING	EPDM
5	HANDLE	ABS
6	STEM	U-PVC
7	SEAL CARRIER	U-PVC
8	UNION NUT	U-PVC
9	END CONNECTOR	U-PVC
10	STEMO-RING	EPDM
11	CARRIER O-RING	EPDM



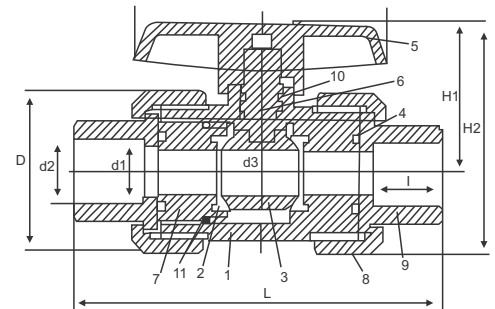
\* All measurements are in mm

PVC Double Union Ball Valve - Threaded and Solvent Weld



**SPECIFICATION**

PVC body, ABS handle,  
UV inhibitor infused PVC materials used



**APPLICATION**

Water and light chemicals reticulation where maintenance is necessary

**FEATURES**

Double Union Valves, comes complete with threaded inserts, as well as solvent weld inserts. This eliminates the carry of 2 stock items

**DIMENSIONS**

Code	Size	The. /in		ANSI		l	d3	D	L	L1	H1	H2
		NPT	BSPT	d1	d2							
031113	15mm (½")	14.0	14.0	21.2	21.5	22.0	14.0	48.0	112.0	79.0	48.0	70.0
031114	20mm (¾")	14.0	14.0	26.6	26.9	25.0	20.0	60.5	129.0	90.0	58.0	87.0
031115	25mm (1")	11.5	11.0	26.6	26.9	28.0	24.0	69.5	140.0	103.0	66.0	100.0
031116	32mm (1¼")	11.5	11.0	42.0	42.4	32.0	32.0	83.0	158.0	110.0	75.5	108.5
031117	40mm (1½")	11.5	11.0	48.1	48.6	35.0	40.0	95.0	175.0	120.0	90.0	136.0
031118	50mm (2")	11.5	11.0	60.2	60.6	44.0	50.0	113.5	208.0	140.0	104.0	160.0
031119	65mm (2½")	8.0	11.0	72.9	73.4	44.0	58.0	133.6	213.5	160.0	122.5	189.3
031120	80mm (3")	8.0	11.0	88.7	89.3	52.0	75.0	168.0	249.5	180.0	150.2	234.2
031121	100mm (4")	8.0	11.0	114.1	114.8	60.0	90.0	194.8	287.0	200.5	167.5	234.7

**MATERIALS**

NO	PART	MATERIAL
1	BODY	U-PVC
2	SEAT SEAL	TPE
3	BALL	U-PVC
4	UNION O-RING	EPDM
5	HANDLE	ABS
6	STEM	U-PVC
7	SEAL CARRIER	U-PVC
8	UNION NUT	U-PVC
9	END CONNECTOR	U-PVC
10	STEM O-RING	EPDM
11	CARRIER-O-RING	EPDM



\* All measurements are in mm

**DISCLAIMER**

Whilst every care was taken in compiling this data, information and related material contained herein are subject to change without notification. All detail that this document contains are provided in good faith and therefore no representation or warranty whatsoever regarding the completeness, accuracy, "up to date", or adequacy of, suitability, functionality, omission, or operation is specifically disclaimed of any liability for direct, indirect or consequential loss or damage, however so arising, from the use or reliance on information herein thereafter provided.

**INCLEDON**

BLOEMFONTEIN	Tel: 051 408 9200	BURGERSFORT	Tel: 013 231 7224	GERMISTON	Tel: 011 323 0800	KATHU	Tel: 053 723 2213
KLERKSDORP	Tel: 018 462 0009	LEPHALALE	Tel: 014 763 5824	NELSPRUIT	Tel: 013 752 3121	POLOKWANE	Tel: 015 292 8660
RUSTENBURG	Tel: 014 591 7700	SECUNDA	Tel: 017 631 4200	UPINGTON	Tel: 054 332 1089	WELKOM	Tel: 057 396 1131
DURBAN	Tel: 031 716 2200	EAST LONDON	Tel: 043 736 6022	PORT ELIZABETH	Tel: 041 409 8000		

**DPI TRADING (Western Cape)**

CAPE TOWN Tel: 021 957 5600 GEORGE Tel: 044 874 2327

