

Elster Kent V130 Plastic Concentric Water Meter

A semi-positive Rotary Piston type



The V130 concentric semi-positive rotary piston type domestic meter is designed for the measurement of cold potable water and offers accuracy, long maintenance-free working life and is highly resistant to tampering.

The V130 has a standard inlet/outlet size of Ø 47.5mm and is compatible with all meter manifolds that comply with BS5728 specifications.

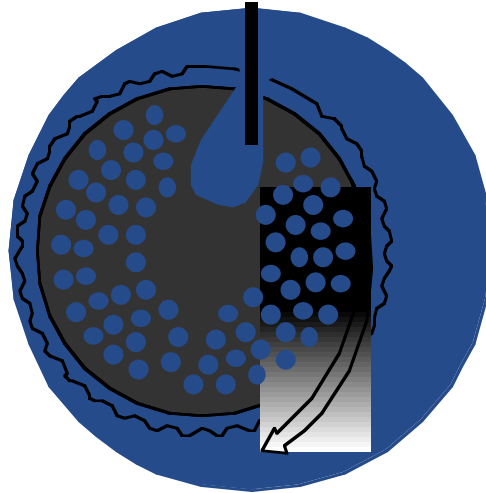
Performance Specifications			
Meter Specifications	NOMINAL SIZE qp1.5		
	mm	Equivalent to 15mm Class C	Actual Performance
Maximum flow rate $q_s \pm 2\%$	m ³ /h	3	5
Permanent flow rate $q_p \pm 2\%$	m ³ /h	1.5	2.5
Transitional flow rate $q_t \pm 2\%$	l/h	22.5	22.5
Minimum flow rate $\pm 5\%$	l/h	15	15
Starting flow	l/h	5	5
Maximum Working Pressure	kPa	1600	1600
Meter Resets to Zero	m ³	10 000	10 000
Minimum Indicated Value	m ³	0.00002	0.00002
Pulse Output (Litres per pulse)	l	0.5	0.5
Maximum Water Temperature	°C	50	50
Weight (meter only)	g	550	550
Height	mm	141	141
Diameter	mm	111	111

Features	Benefits
<ul style="list-style-type: none"> • Wide accurate measuring range between 15l/h and 5000 l/h 	<ul style="list-style-type: none"> • A meter with a low flow measuring accuracy of a Class C 15mm meter and a maximum flow rate of a 20mm meter in one.
<ul style="list-style-type: none"> • Wet dial counter 	<ul style="list-style-type: none"> • Prevents condensation under the lens.
<ul style="list-style-type: none"> • Mechanical drive type counter 	<ul style="list-style-type: none"> • Prevents external magnetic interference.
<ul style="list-style-type: none"> • Standard concentric inlet/outlet design 	<ul style="list-style-type: none"> • Easy installation in all makes of approved manifold meter boxes (BS5728)
<ul style="list-style-type: none"> • Pulse output (2 pulses per litre) 	<ul style="list-style-type: none"> • Upgradable to EMR, AMR, pre-payment, loggable etc.
<ul style="list-style-type: none"> • Volumetric measuring principle 	<ul style="list-style-type: none"> • Low flow meter accuracy not affected by angle of installation.
<ul style="list-style-type: none"> • Revolutionary grooved piston 	<ul style="list-style-type: none"> • Improved durability and performance
<ul style="list-style-type: none"> • Low pressure drop 60 Kpa at a flow rate of 5000 m³/h 	<ul style="list-style-type: none"> • Low restriction across the meter

Revolutionary Grooved Piston

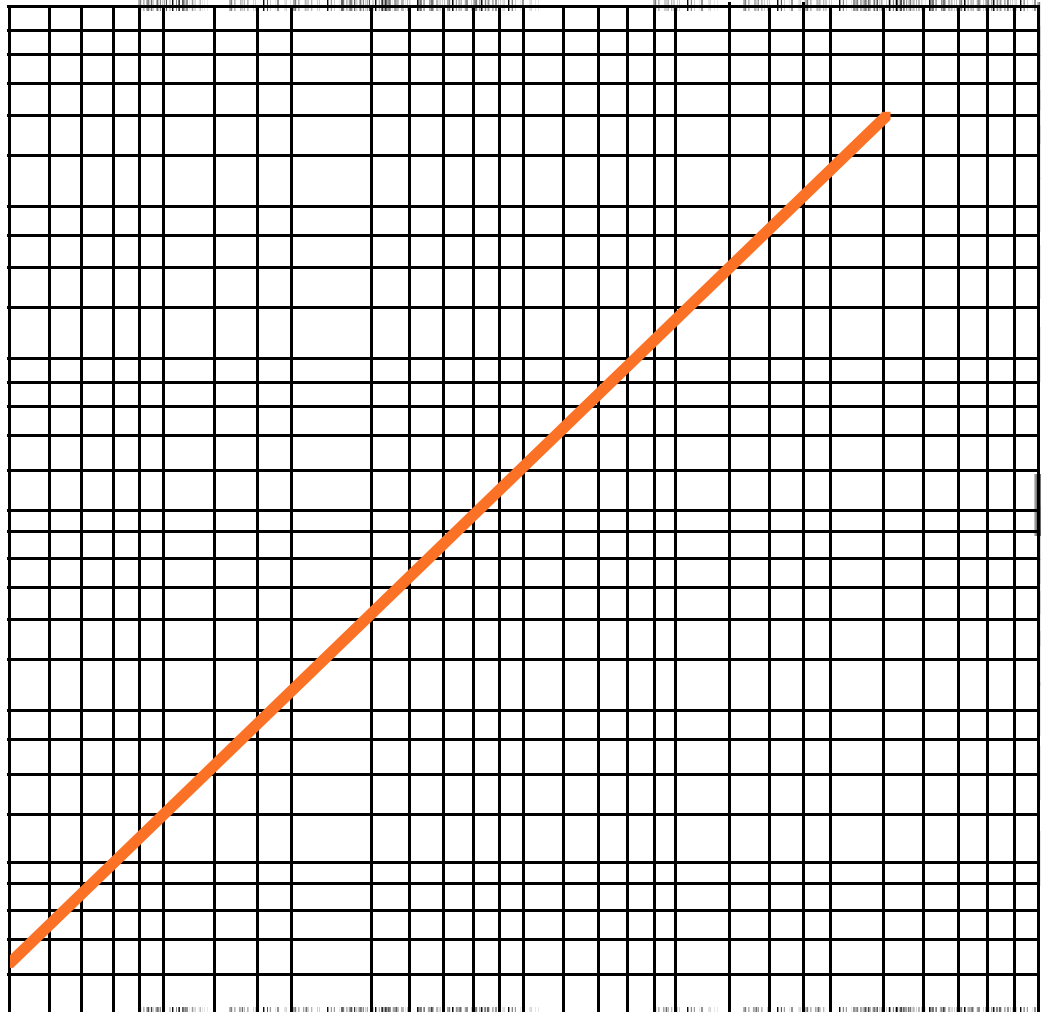
The Elster Kent V130 meter combines top in bottom out chamber design with the unique grooved piston design in the measuring chamber. This assists the passage of suspended solids and gives excellent flow characteristics. The result is dramatically reduced meter stoppages, improved durability and superior performance.

Relative motion of the grooved piston. It's action with the stationary chamber wall, creates small flow eddies which hold solids in suspension until flushed out, reducing meter stoppages.

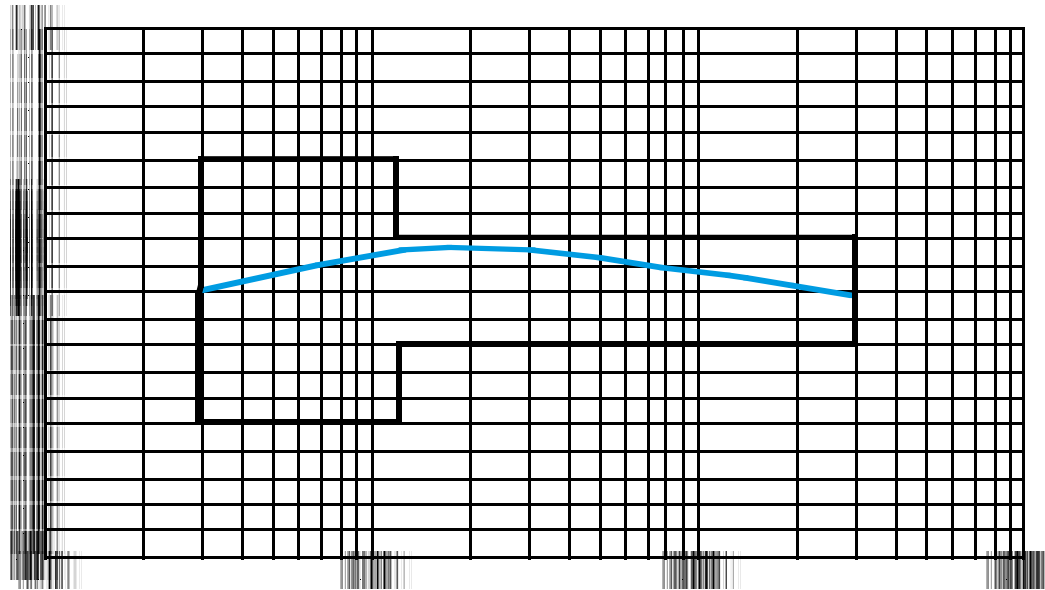


Pressure Drop Graph

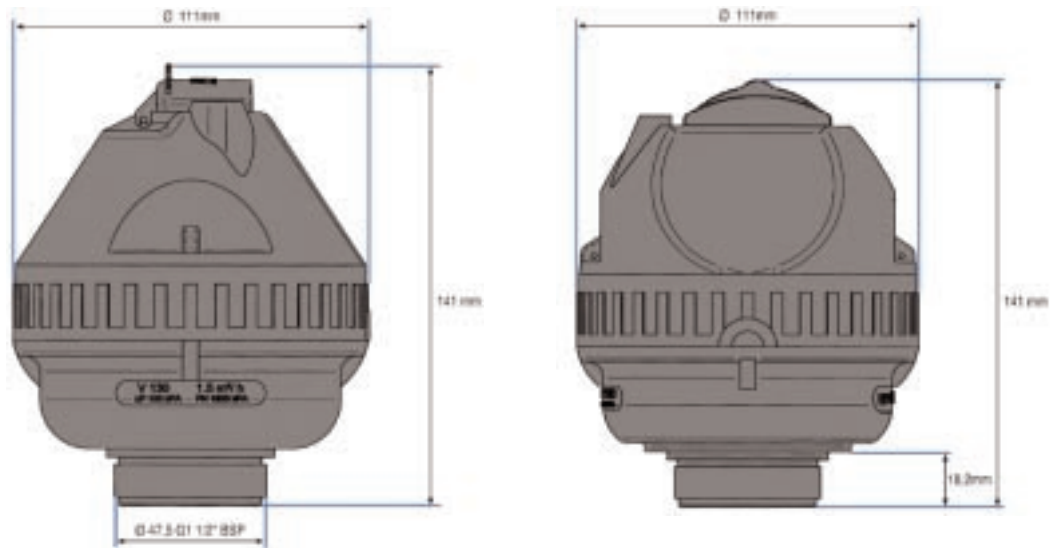
Pressure Drop
across a 1.5 & 2.5
 m^3/h V130



Typical Flow Graph



Dimensions



Typical Specification of Concentric Meter – Meter only 15mm V130

15mm V130 plastic bodied Concentric Water Meter of the semi-positive rotary piston type, with a standard inlet / outlet size of 47,5mm Ø, compatible with all BS5728 manifolds. The meter has a fixed one pulse per ½ litre output facility, straight-reading wet dial counter registering in m³ and is approved under the Trade Metrology Act and regulations and to SABS 1529-1: 1994 Class 'B' specifications.

Approvals

Approved in terms of SABS/1529-1:1994. Approval Number SA 1342. The V130 is approved for installation in both Elster Kent and Atlantic Plastics "Atlas" manifolds.

Warranty

All goods are tested and inspected prior to despatch. In the event of defects resulting from faulty workmanship or materials, such goods will be replaced/repared at our discretion, free of charge at the factory, but no responsibility will be accepted for any direct or consequential damage. This warranty covers the malfunction of a correctly installed item due to a manufacturing fault, but does not cover wear and tear considered normal at the locality of installation. Meter warranty 3 years from date of manufacture.



elster
Kent Metering (Pty) Ltd
PO Box 201 Auckland Park 2006
www.elsterkent.co.za

JOHANNESBURG
Tel: (011) 470-4900
Fax: (011) 474-0175

DURBAN
Tel: (031) 266-4915
Fax: (031) 266-9521

CAPE TOWN
Tel: (021) 511-8465/6
Fax: (021) 511-8446

BLOEMFONTEIN
Tel: (051) 430-2603
Fax: (051) 435-1455

PORT ELIZABETH
Tel: (041) 363-1943/2026
Fax: (041) 363-2127

The company's policy is one of continuous improvement and the right is reserved to modify the specifications without notice

40003/8/2008