

ELSTER KENT Domestic Wall Mounted Meterbox

Upgradeable to electronic volume controller, or
pre-paid and automatic meter reading



ELSTER KENT Wall Mounted Meterbox

Tamper and UV resistant wall mounted plastic meterbox

Upgrades:

Upgrades to electronic volume controller or prepaid and automatic meter reading

External Connection Options:

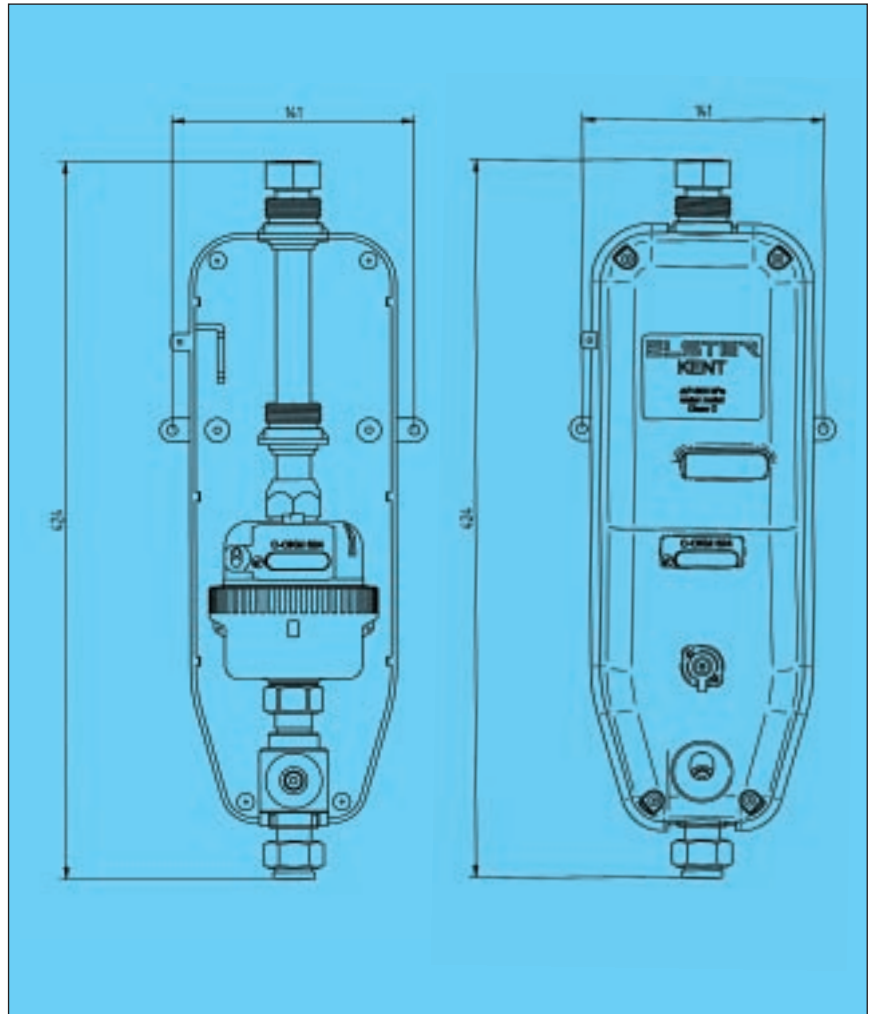
- 20mm female brass BSP threaded

Optional Extra's:

- Lockshield for trickleflow ballcock

Connectors:

- 20mm BSP capnuts



Typical Specifications

The wall mounted meterbox comprises of a plastic Class C KSM-T meter complete with with non-return valve and pulse output facility, pre-piped with fusion welded fittings and presure tested and is ready for easy installation. The unit comes with a 3 way trickleflow ballcock and is easily upgradeable to either a prepayment meter or an electronic 200 litre a day dispenser.

Approvals

Meterbox to contain a Class C plastic bodied volumetric watermeter complete with pulse output approved by S.A. Trade Metrology to SANS 1529-1:2003 for vertical or horizontal installations.

Warranty

All goods are tested and inspected prior to despatch. In the event of defects resulting from faulty workmanship or materials, such goods will be replaced/repared at our discretion, free of charge at the factory, but no responsibility will be accepted for any direct or consequential damage. This warranty covers the malfunction of a correctly installed item due to a manufacturing fault, but does not cover wear and tear considered normal at the locality of installation. Meter warranty 3 years from date of manufacture. Electronics warranty 1 year from date of manufacture.