

ELSTER KENT ABOVE GROUND CONCENTRIC METERBOX

Robust, Accurate, Long Maintenance Free Working Life



The Elster Kent Above Ground Concentric Meterbox is manufactured of non-metallic, UV resistant material, housing a plastic V130T Multi-Range (15/20mm) water meter with 25mm fusion welded pipes and fittings all within the box. The reading slot is covered by a flip back cover.

The plastic V130T Manifold Meter is approved to Class B 15mm specification and has a maximum flow rate of a 20mm meter and also has an approved pulse output of 2 pulses per litre.

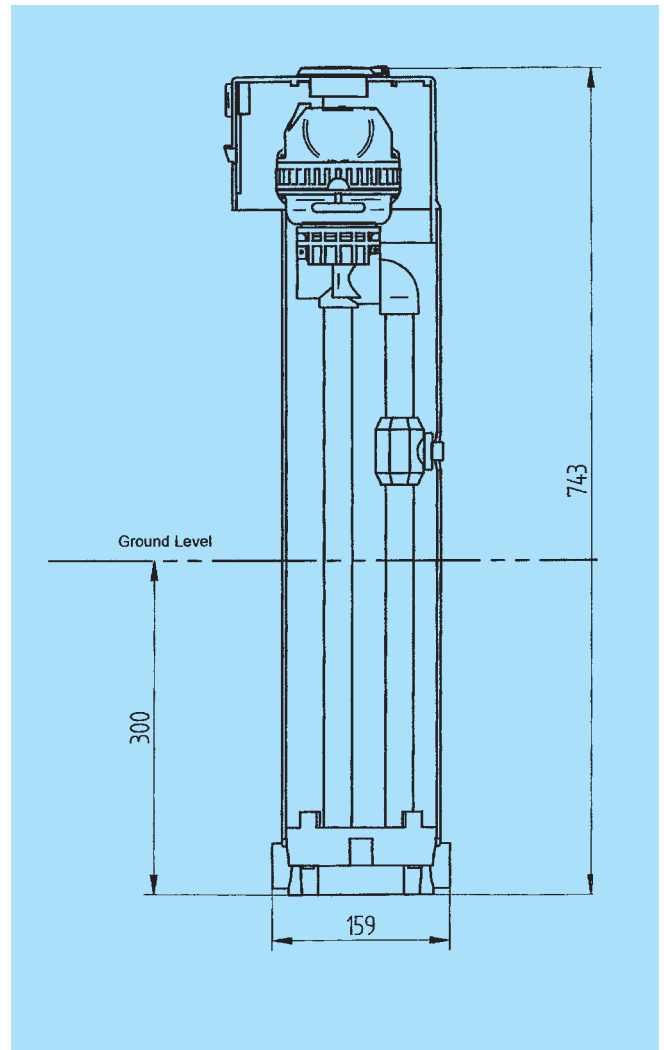
The concept of raising the meter installation off the ground makes the meter easier to read plus gives the advantage of freedom from flooding, and dirt and mud obscuring the counter reading. By pre-plumbing and pressure testing the whole unit for leaks it is ready for installation. The municipal 3 way trickle flow ball valve is actuated from the outside using a 10mm Allen key. The inlet and outlet connections are 20mm (3/4") reinforced female threaded for use with 20mm male threaded pipe adaptors (not supplied)

Features

- Easy to find and read.
- Easy to install.
- No interest to thieves as all parts are manufactured from engineering plastic.
- Robust.
- Multi range meter (15mm & 20mm in one).
- Upgradeable to automatic meter reading.
- Meter has pulse output of 2 pulses per litre as a standard.
- Low pressure drop.

Options

- Upgradeable to pre-paid.



Typical Specification

All plastic Concentric Above Ground Meter Box housing a V130 plastic bodied Concentric water meter of the semi-positive rotary piston type, with a standard inlet/outlet size of 47,5mm Ø. The meter has a fixed one pulse per 1/2 liter output facility, straight-reading counter registering in m³ and is approved under the Trade Metrology Act and Regulations to SABS 1529-1: 1994, complete with unique high quality plastic three-way (open/closed/trickle flow) ball valve fitted upstream of the meter and 25mm HDPE internal piping with 20 mm reinforced female (20mm) threaded in and outlet connections. This is a multi-range meter, i.e. the 15mm V130 has the capacity to measure a minimum flow rate of 30 l/h and a maximum flow rate of 5000 l/h and can be used as either a 15mm or 20mm water meter.

Approvals

Approved in terms of SABS/1529-1:1994. Approval Number SA 1342. The V130 is approved for installation in both Elster Kent and Atlantic Plastic "Atpas" manifolds.

Warranty

All goods are tested and inspected prior to despatch. In the event of defects resulting from faulty workmanship or materials, such goods will be replaced/repared at our discretion, free of charge at the factory, but no responsibility will be accepted for any direct or consequential damage. This warranty covers the malfunction of a correctly installed item due to a manufacturing fault, but does not cover wear and tear considered normal at the locality of installation. Meter warranty 3 years from date of manufacture.