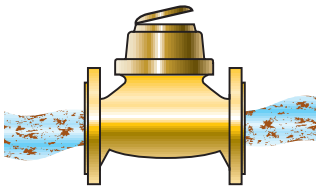


ELSTER KENT R1000 IRRIGATION WATER METER

Metering technology that stands up to all conditions





Totally open metering compartment for unhindered flow

The metering of raw water presents special challenges. But the wide passageways through the range of Elster Kent raw water meters allows the free flow of water and suspended solids through the meter without compromising the meter measuring integrity.

Durable on duty

Good to know: our irrigation meters have been meticulously prepared for use in agricultural conditions, incorporating special features which differentiate them from the ultra-sophisticated Woltmann meters used in water resources management.

Consummate in construction

The housing has been reduced to pure functionality. The connection flanges conform to SABS 1123 T16. The material is GG 25. The surface is coated with epoxy resin all over, meaning inside and out.

The housing is topped by a generously dimensioned brass-cast head. And the cover above the counter mechanism is made of brass, too, instead of plastic; it can be secured with a padlock.

Good in the details

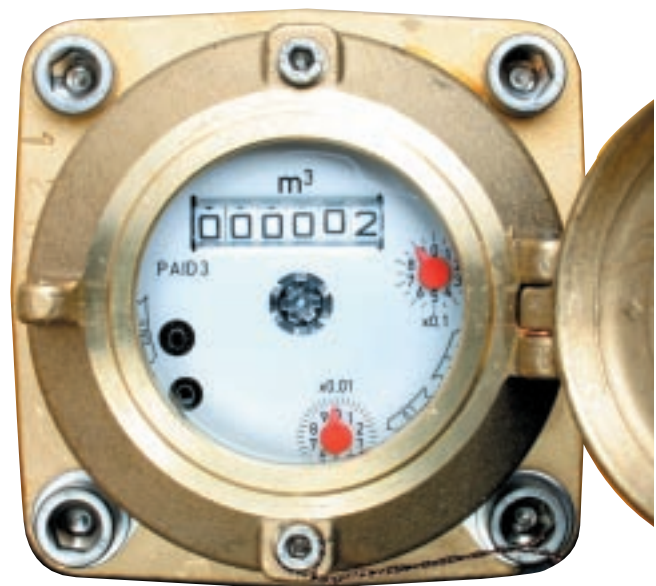
Our irrigation meter offers the water free passage. In contrast to Woltmann meters, the cross-section in the metering compartment is not constricted, which results in extremely - and gratifyingly - favourable pressure loss figures.

Accurate in Metering

The dry-dial type counter mechanism operates with consistent metering accuracy, regardless of the water quality involved.

Flexible in employment

The MULTI-PULS register is well equipped with pulse options as per pulse transmitter table.



Pulse Transmitter Table		
	DN mm	DN mm
	50 ... 100	150 ... 250
Pulse sequence		
Standard	litre/pulse	litre/pulse
T 160 Reed	100/1	1 000/1
Reed	1 0000/1	10 000/1



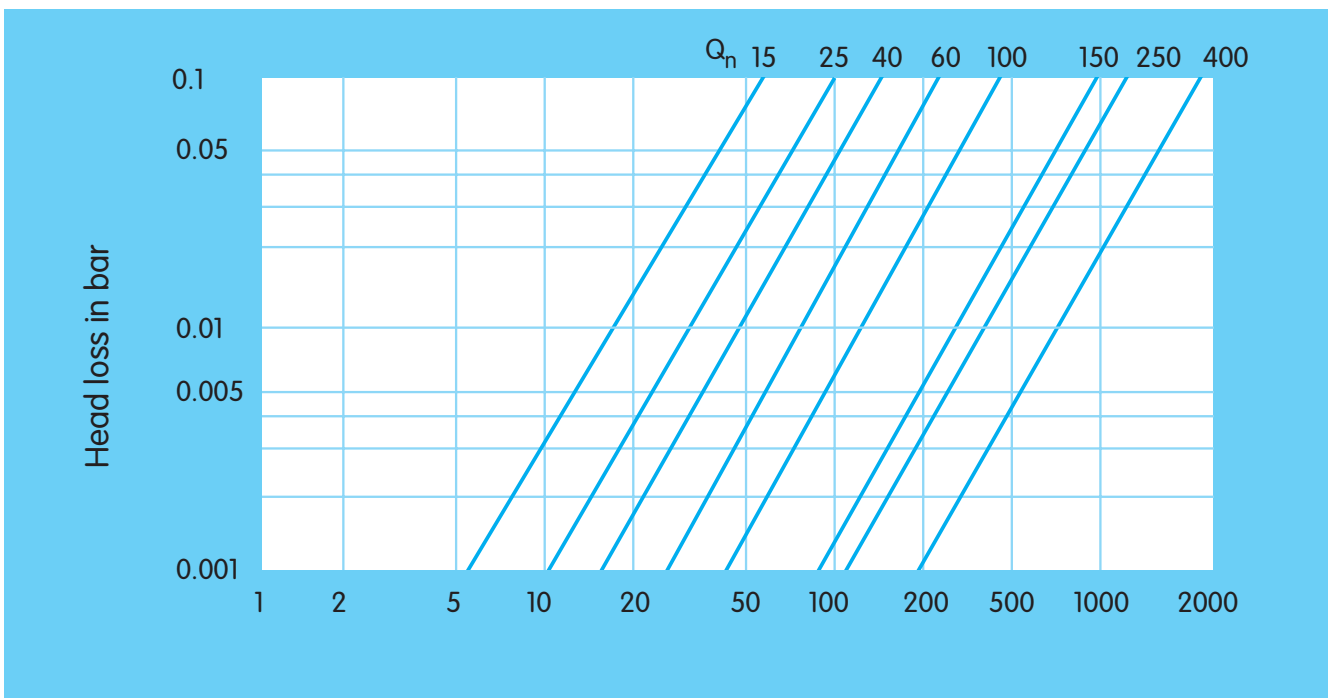
WP-T-M

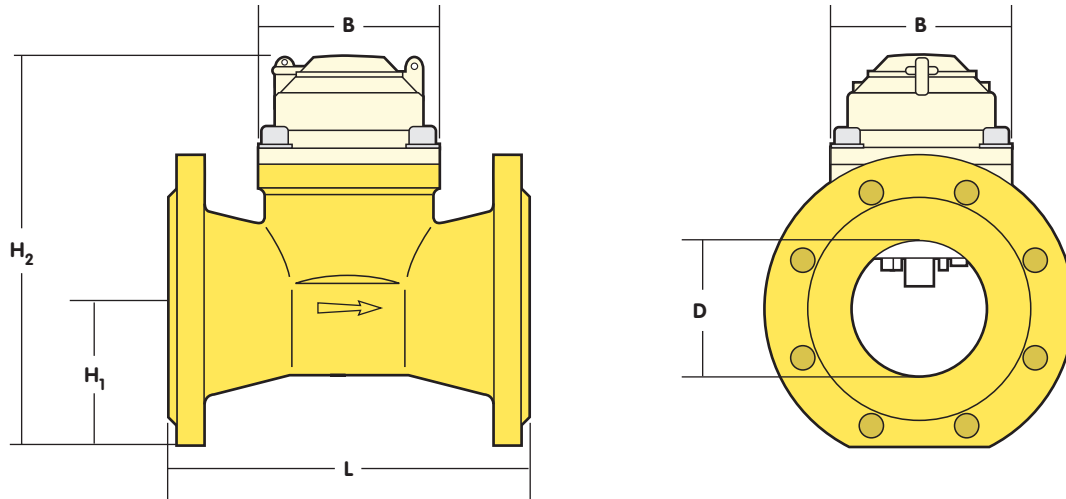
Features

- Dry dial consisting of a dry dial polymer multi-pulse counter.
- Pulse transmitter for remote reading.
- Completely open metering compartment.
- Flanges are drilled to allow connection to SABS 1123 Table 16

- Sturdy construction through and through: designed to cope with tough operating conditions.
 - Corrosion-proof housing in GG 25 grey cast iron, durably coated with epoxy resin.
 - Hard-wearing meter brass-cast head.
 - Guaranteed waterproof separation between metering compartment/ metering insert and counter mechanism.
 - Counter mechanism in dustproof enclosure.
 - Clear reading always possible.
- Maintenance friendly**
- Available Sizes: 50mm, 80mm, 100mm, 150mm, 200mm, 250mm.
 - Simple construction of meter in modules: housing, meter head, metering insert, counter mechanism.
 - A single measuring element fits all meter housings.
 - Minimized inventory requirement for standard maintenance: metering insert, counter mechanism.
 - Please note each counter has different gearing for different sizes.

Flowrate in m³/h





Technical Data

Normal size Meter size / nominal flowrate		DN Q _n	mm m ³ /h	50 15	80 40	100 60	150 150	200 250	250 400
D	Connecon flange - SABS 1123 T16		mm	50	80	100	150	200	250
L	Meter length		mm	200	225	250	300	350	450
B	Width		mm	130	130	130	130	130	130
H ₁	Centerline height		mm	72	95	105	135	160	200
H ₂	Overall height		mm	130	250	260	290	315	355
Weight			kg	11	15	19	30	48	85
Actual measuring range									
Horizontal/vertical installation									
Overload flow		Q _s	m ³ /h	70	150	250	500	900	1200
Transitional flowrate		Q _t	m ³ /h	4.5	12	18	45	75	120
Minimum flowrate		Q _{min}	m ³ /h	1.2	3.2	4.8	12	20	32
Permanent flow		Q _p	m ³ /h	30	80	120	300	500	800
Temperature		T _{max}	°C	50	50	50	50	50	50
Pressure rating			PN	16	10/16	16	16	10/16	10/16
Flow capacity - at 10 Kpa pressure loss			m ³ /h	55	145	270	950	1200	1900
Required measuring range ISO 4064 Class A				A	A	A	A	A	A
Overload flow		Q _s	m ³ /h	30	80	120	300	500	800
Transitional flowrate		Q _t	m ³ /h	4.5	12	18	45	75	120
Minimum flowrate		Q _{min}	m ³ /h	1.2	3.2	4.8	12	20	32

Typical Specification

An irrigation type meter with a corrosion proof GG25 epoxy coated cast iron bodied paddle wheel axle running tangential to the bore. Cast brass head and protection lid protecting the IP 67 dry dial counter, which can be secured using a padlock. The meter to be flanged Table 16, (SABS 1123). The meter counter is to have a pulse output.

Warranty

All goods are tested and inspected prior to despatch. In the event of defects resulting from faulty workmanship or materials, such goods will be replaced/repared at our discretion, free of charge at the factory, but no responsibility will be accepted for any direct or consequential damage. This warranty covers the malfunction of a correctly installed item due to a manufacturing fault, but does not cover wear and tear considered normal at the locality of installation. Meter warranty 2 years from date of manufacture.



elster
Kent Metering (Pty) Ltd
PO Box 201 Auckland Park 2006
www.elsterkent.co.za

JOHANNESBURG
Tel: (011) 470-4900
Fax: (011) 474-0175

DURBAN
Tel: (031) 266-4915
Fax: (031) 266-9521

CAPE TOWN
Tel: (021) 511-8465/6
Fax: (021) 511-8446

BLOEMFONTEIN
Tel: (051) 430-2603
Fax: (051) 435-1455

PORT ELIZABETH
Tel: (041) 363-1943/2026
Fax: (041) 363-2127

The company's policy is one of continuous improvement and the right is reserved to modify the specifications without notice

40002/08/2008