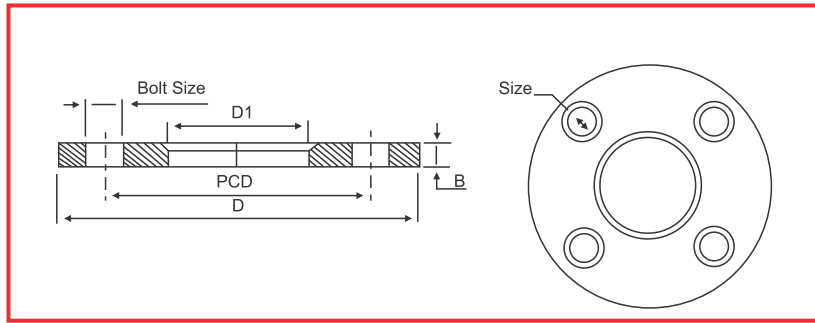




# PVC & HDPE BACKING FLANGE DIMENSIONS



Pipe Size mm	BS 10 Table D						ASA 150					
	Dimensions - mm				Bolts		Dimensions - mm			Bolts		
	D	D1	B	PCD	No.	Size	D	B	PCD	No.	Size	
20	95.5	30	5	66.7	4	M12	89.0	10	60.3	4	M12	
25	101.6	38	5	73.0	4	M12	98.6	10	69.8	4	M12	
32	114.3	45	5	82.6	4	M12	108.0	10	79.4	4	M12	
40	120.6	52	6	87.3	4	M12	117.5	12	88.9	4	M12	
50	133.3	63	6	98.4	4	M12	127.0	12	98.4	4	M12	
63	152.4	78	8	114.3	4	M16	152.4	12	120.6	4	M16	
75	165.1	92	8	127.0	4	M16	177.8	12	139.7	4	M16	
90	184.1	110	10	146.0	4	M16	190.5	12	152.4	4	M16	
110	215.9	135	10	177.8	4	M16	228.6	15	190.5	8	M16	
125	254.0	149	10	209.6	8	M16	254.0	15	215.9	8	M16	
140	254.0	167	13	209.6	8	M16	254.0	15	215.9	8	M16	
160	279.4	190	13	235.0	8	M16	279.4	20	241.3	8	M16	
180	285.0	188	13	235.0	8	M16	280.0	20	241.3	8	M16	
200	336.6	236	13	292.0	8	M16	343.0	20	298.4	8	M16	
225	369.0	236	13	323.9	8	M16	343.0	20	298.4	8	M16	
250	406.4	280	16	355.6	8	M20	406.4	25	361.9	12	M20	
280	406.0	292	16	355.6	8	M20	406.4	25	361.9	12	M20	
315	457.2	340	19	406.4	12	M20	482.6	30	431.8	12	M20	
355	527.1	385	22	469.9	12	M24	533.4	30	476.2	12	M20	
400	577.9	438	22	520.7	12	M24	596.9	30	539.7	12	M24	
450	641.4	488	25	584.2	12	M24	635.0	30	577.8	16	M24	

Pipe Size mm	SABS 1123 1600/3						SABS 1123 1000/3					SABS 1123 600/3				
	Dimensions - mm				Bolts		Dimensions - mm			Bolts		Dimensions - mm			Bolts	
	D	D1	B	PCD	No.	Size	D	B	PCD	No.	Size	D	B	PCD	No.	Size
20	95	30	10	65	4	M12	95	10	65	4	M12	80	10	55	4	M10
25	105	38	10	75	4	M12	105	10	75	4	M12	90	10	65	4	M10
32	115	45	10	85	4	M12	115	10	85	4	M12	100	10	75	4	M10
40	140	52	10	100	4	M16	140	10	100	4	M16	120	10	90	4	M12
50	150	63	10	110	4	M16	150	10	110	4	M16	130	10	100	4	M12
63	165	78	12	125	4	M16	165	12	125	4	M16	140	12	110	4	M12
75	185	92	12	145	4	M16	185	12	145	4	M16	160	12	130	4	M12
90	200	110	14	160	8	M16	200	12	160	8	M16	190	12	150	4	M16
110	220	135	14	180	8	M16	220	12	180	8	M16	210	12	170	4	M16
125	250	149	14	210	8	M16	250	12	210	8	M16	240	12	200	8	M16
140	250	167	16	210	8	M16	250	14	210	8	M16	240	12	200	8	M16
160	285	190	18	240	8	M20	285	16	240	8	M20	265	15	225	8	M16
180	285	188	18	240	8	M20	285	16	240	8	M20	265	15	225	8	M16
200	340	236	22	295	12	M20	340	18	295	8	M20	320	18	280	8	M16
225	340	236	22	295	12	M20	340	18	295	8	M20	320	18	280	8	M16
250	405	280	22	355	12	M24	395	18	350	12	M20	375	18	335	12	M16
280	405	292	25	355	12	M24	395	20	350	12	M20	375	20	335	12	M16
315	460	340	28	410	12	M24	445	22	400	12	M20	440	20	395	12	M20
355	520	385	30	470	16	M24	506	25	460	16	M20	490	20	445	12	M20
400	580	438	35	525	16	M24	565	25	515	16	M24	540	25	495	16	M20
450	640	488	40	585	20	M24	615	30	565	20	M24	595	25	550	16	M20