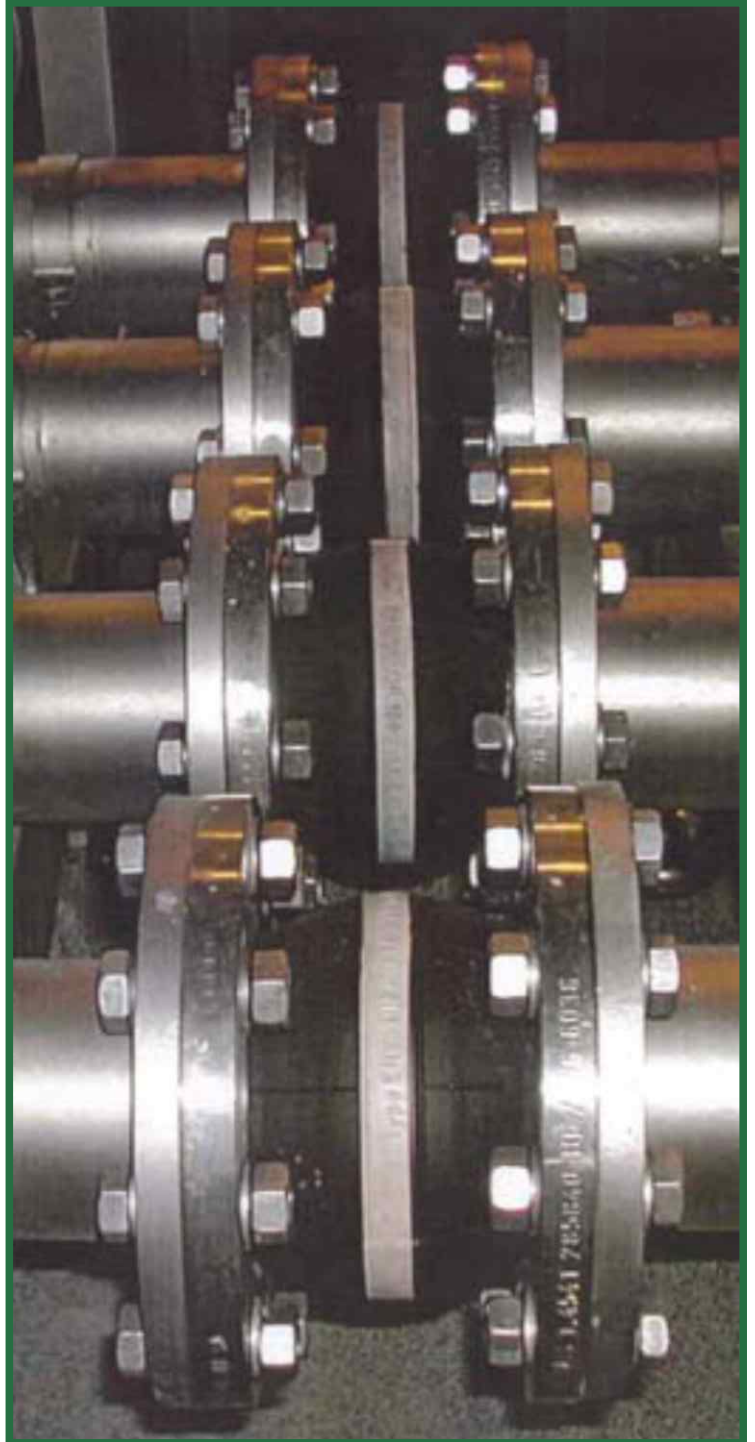


Rubber
Expansion
Joints (Bellows)



Absorption of vibration
Compensates Movement
Pressure resistance



A NEW ERA IN TOTAL SOLUTIONS



INTRODUCTION

FEATURES & CHARACTERISTICS

Tekflo style 99 rubber joints are specially designed in a spherical shape and the rubber ball is reinforced with steel wire and nylon and then finally vulcanised under high pressure. The joint is supplied with floating metallic flanges or FMCB unions. Because of its spherical ball shape, it poses high resistance to explosion and its elastic structure enable pipeline system to have the following characteristics.

SUPERIOR ABSORPTION OF VIBRATION - NOISE - SHOCK

Tekflo Style 99 rubber expansion joints are engineered to reduce vibration, noise and movement inherent in piping systems. Installation of the Tekflo style 99 joints will enable the isolated equipment to move freely, eliminating vibration and repelling sound which is prevalent in metallic type joint. Water hammer, pumping impulse and water born noise are cushioned and absorbed by the Tekflo style 99 rubber expansion joints.

COMPENSATE GREATER ELONGATION, COMPRESSION, LATERAL AND ANGULAR MOVEMENT

Equipment such as pump, chillers, cooling tower, compressors and piping systems move out of alignment due to wear, load stress and during the setting of foundation blocks. Tekflo style 99 rubber expansion joints compensate for lateral, torsional and angular movement to prevent damage which eliminate costly downtime in plant operation.

OUTSTANDING PRESSURE RESISTANCE

It excels in pressure resistance by the combination of spherical structure with super stability against internal pressure and strong special reinforcing nylon. Tekflo style 99 rubber expansion joints display an outstanding pressure resistance of bursting pressure.

WIDER CHOICE OF POLYMERS

Tekflo style 99 rubber expansion joints can be manufactured and supplied in the following polymers to cover different fluid application

*Neoprene * EPDM * Natural Rubber * Nitrile etc.

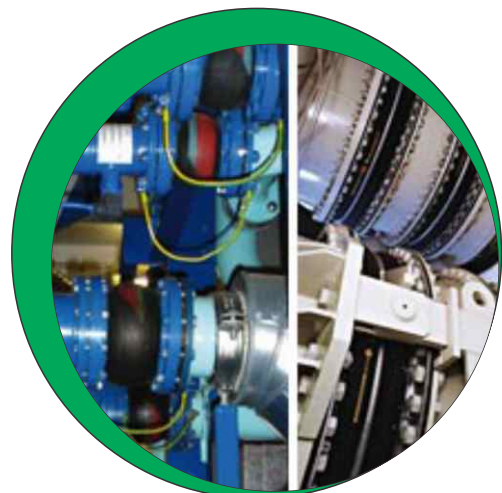
PRODUCT APPLICATION

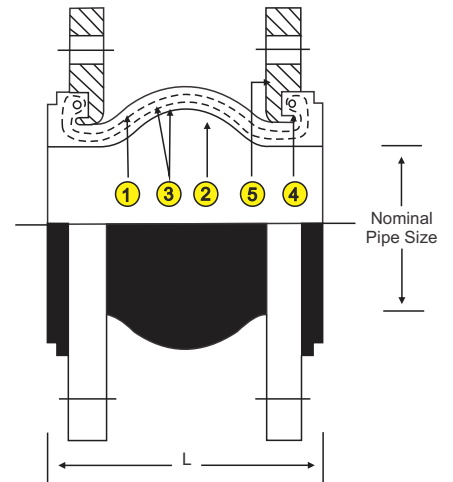
Tekflo Rubber Expansion Joints (Bellows) are widely used to absorb piping and pumping equipment from movement, isolated vibration, reduce systems noise and compensate for misalignment.

Their special features will also eliminate electrolysis, counter expansion and contraction against start up surge forces.

USES

- Suction and delivery pumping lines for air - conditioning, ventilation system and chilled water installation
- Cooling tower and fan coil unit piping lines
- Fire fighting and sanitary system
- Pollution control system for sewerage and water treatment
- Power generation plant, marine cooling system, ballast lines, paper industry, etc.





DIMENSIONS (TYPE 99 SFL)

BS4504 10	BS4504 16	BS10 Table D	Nominal Pipe Size		Neutral Length L	Axial Com- pression	Axial Elon- gation	Lateral Deflec- tion	Angular Deflection
			MM	INS					
052792	052792	052777	50	2	105	8	4	8	15
052793	052793	052778	80	3	130	12	6	10	15
052794	052794	052779	100	4	135	18	10	12	15
052795	052795	052780	125	5	170	18	10	12	15
052796	052796	052788	150	6	180	18	10	12	15
052806	052797	052789	200	8	205	20	14	18	15
052807	052802	052790	250	10	240	22	14	18	15
052810	052803	052791	300	12	260	24	14	18	15

MATERIALS

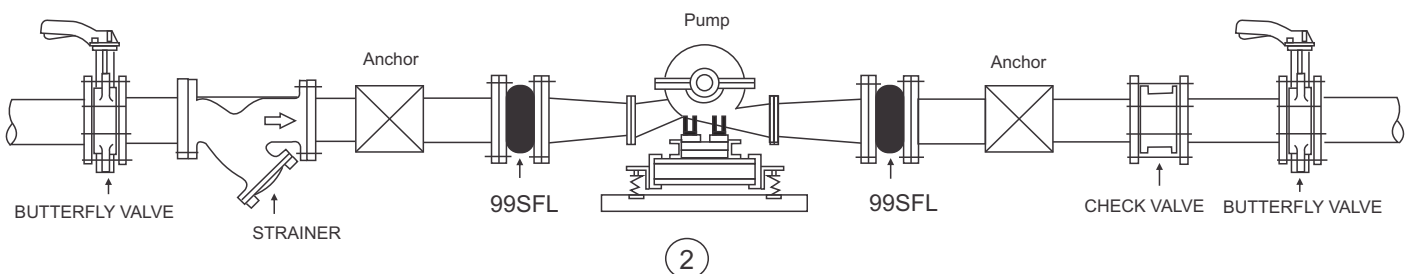
NO	PART NAME	MATERIAL
1	Body (Outer Layer)	Special Synthetic Rubber
2	Body (Inner Layer)	Special Synthetic Rubber
3	Reinforcing Fabric	Nylon Fabric
4	Wire	Hard Steel Wire
5	Flange	Mild Steel (GalVd)

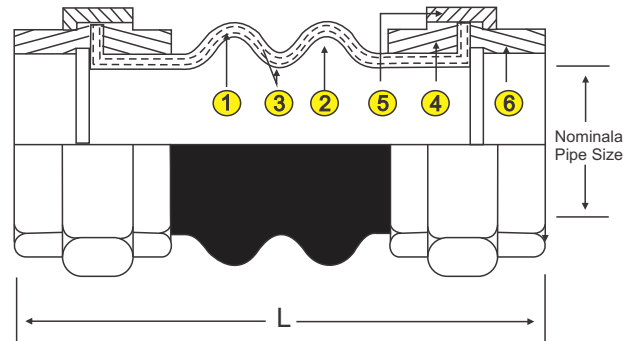
OPERATING TEMP. °C	AMBIENT	50	60	70	80
MAXIMUM OPERATING PRESSURE (BAR)	16	12.4	10	7.5	6.5

Operating Pressure	16 Bar
Operating Temperature	-10 to 80°C
Vacuum Rating	700 MM/HG
*Applicable Fluids	Warm, Warm water, Sea water, Air & weak Acid
Flanges Standard	BS 10 & BS 4504

NOTES

- Higher temperatures affect movement and pressure. As temperature increases, rated values must be reduced accordingly.
- Pressures shown are recommended "operating", test pressure is 1.5 times "operating"
- Vacuum rating is based on neutral installed length without external load. Products shall not be installed "elongated" on vacuum applications.
- Expansion joints may operate in pipelines or equipments carrying fluids at evaluated temperatures and pressures. Normal precautions shall be taken to make sure these parts are installed correctly and inspected regularly. Precautions shall be taken to protect personnel in the event of leakage or splash.
- For other kinds of applicable fluids, except the above, to which the rubber joint becomes applicable, please kindly consult your supplier or manufacturer





DIMENSIONS (TYPE 99 TU)

Code	Nominal Pipe Size		Neutral Length L	Axial Compression	Axial Elongation	Lateral Deflection	Angular Deflection
	MM	INS					
052814	20	¾	165	22	6	22	30
052815	25	1	175	22	6	22	30
052816	32	1¼	186	22	6	22	30
052817	40	1½	186	22	6	22	30
052818	50	2	200	22	6	22	20

MATERIALS

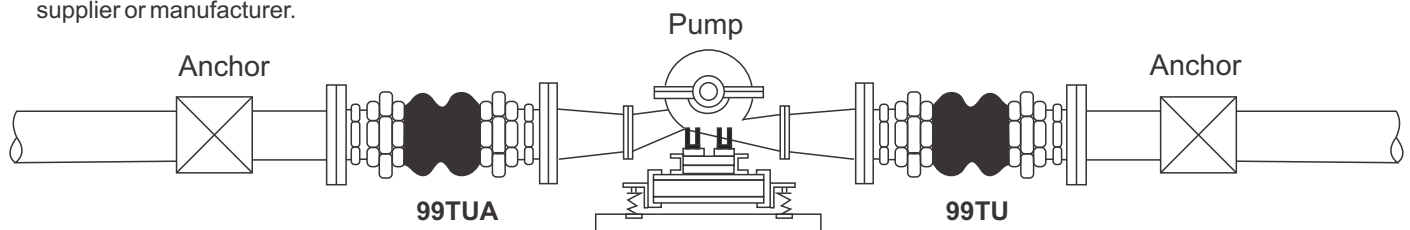
NO	PART NAME	MATERIAL
1	Body (Outer Layer)	Special Synthetic Rubber
2	Body (Inner Layer)	Special Synthetic Rubber
3	Reinforcing Fabric	Nylon Fabric
4	Wire	Hard Steel Wire
5	Flange	Mild Steel (GalVd)

OPERATING TEMP. °C	AMBIENT	50	60	70	80
MAXIMUM OPERATING PRESSURE (BAR)	16	12.4	10	7.5	6.5

Operating Pressure	16 Bar
Operating Temperature	-10 to 80°C
Vacuum Rating	500 MM/HG
*Applicable Fluids	Warm, Warm water, Sea water, Air & weak Acid
Flanges Standard	BSP

NOTES

- Higher temperatures affect movement and pressure. As temperature increases, rated values must be reduced accordingly.
- Pressures shown are recommended "operating", test pressure is 1.5 time "operating"
- Vacuum rating is based on neutral installed length without external load. Products shall not be installed "elongated" on vacuum applications.
- Expansion joints may operate in pipelines or equipments carrying fluids at evaluated temperatures and pressures. Normal precautions shall be taken to make sure these parts are installed correctly and inspected regularly. Precautions shall be taken to protect personnel in the event of leakage or splash.
- For other kinds of applicable fluids, except the above, to which the rubber joint becomes applicable, please kindly consult your supplier or manufacturer.



INCLEDON

BLOEMFONTEIN Tel: 051 408 9200

BURGERSFORT Tel: 013 231 7224

GERMISTON Tel: 011 323 0800

KATHU Tel: 053 723 2213

KLERKSDORP Tel: 018 469 4466

LEPHALALE Tel: 014 763 5824

NELSPRUIT Tel: 013 752 3121

POLOKWANE Tel: 015 292 8660

SECUNDA Tel: 017 631 4200

WELKOM Tel: 057 396 1131

DURBAN Tel: 031 716 2200

EAST LONDON Tel: 043 736 6022

PORT ELIZABETH Tel: 041 409 8000

DPI TRADING (Western Cape)

CAPE TOWN Tel: 021 957 5600

GEORGE Tel: 044 874 2327

